

# RDH Recessed Over Door Heater

CI/SfB

56

TS 192



## Applications

The RDH Recessed Over Door Heater is designed for use above frequently opened doors to limit the loss of heated air and the ingress of cold air. Typical installations include shops, entrance halls, and workshop / warehouse doors.

The purpose designed mounting arrangement allows the RDH to be fitted within the ceiling space or over door bulkhead provided adequate provision is made for the incoming airflow.

## Features

- 3kW, 4.5kW, 6kW and 9 kW units available.
- special in-ceiling or bulkhead mounting.
- selection of heat and fan only with remote switch unit.
- complete with grille frame for a neat installation.
- outlet grille and frame have white powder coated finish.
- over temperature cut out with power off reset.
- can be mounted from above or below ceiling.

## Control

Heat output and fan only control is achieved with the remote switch unit.

RDH-3000 - fan only with 1kW, 2kW and 3kW.

RDH-4500 - fan only with 2.25kW and 4.5kW.

RDH-6000 - fan only with 3kW and 6kW.

RDH-9000 - fan only with 4.5kW and 9kW.

Thermostatic and time control (See TS212)

The RDH-3000 and RDH-4500 can be controlled by remote thermostat and /or time controller of suitable rating connected in the main supply line.

The RDH-6000 and RDH-9000 can be controlled by remote thermostat and/or time controller of suitable rating in the heater control circuit.



## Installation (Download full installation instructions at [www.cehltd.co.uk](http://www.cehltd.co.uk))

The heaters are designed to take their input air from the ceiling void it is therefore imperative that a suitably sized inlet grille is provided within the ceiling or enclosure. The minimum clearance to the top inlet grille is 20mm, to the back 30mm and to the front inlet grille 100mm. If one inlet grille is at its minimum dimension the other must have an unrestricted airflow

For optimum effect the heater should be mounted as close as possible to the top of the doorway. The maximum recommended mounting height is 2.3m for 3kW and 2.8m for 4.5, 6.0 and 9.0kW units.

It is recommended a frame is provided around the ceiling opening, The adjustable brackets then allow fixing to the top of this frame or to the face of the ceiling. Alternatively holes are provided in the top of heater for drop rod fixings.

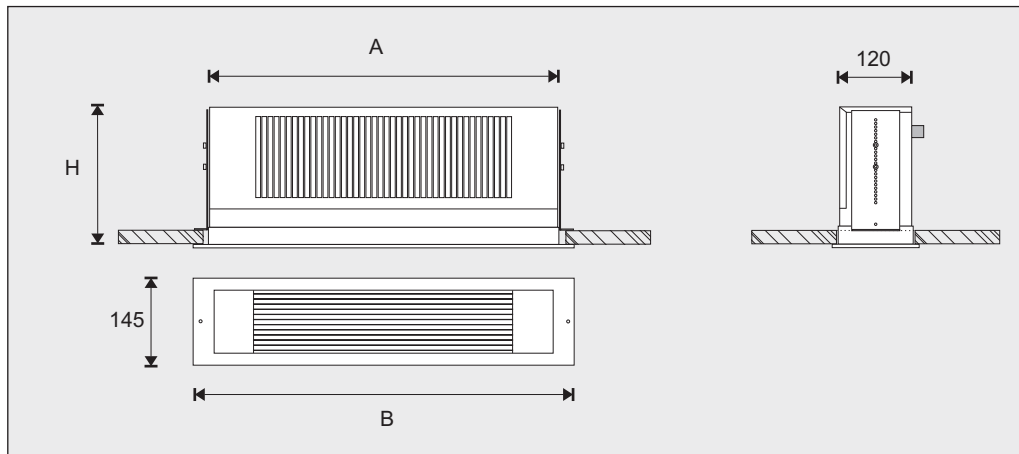
The grille frame is fixed directly to the ceiling to provide a decorative finish.

3kW, 4.5kW and 6kW units are only suitable for connection to a 230V single phase power supply. The 9kW is suitable for both a 230V single phase or 400V three phase and neutral supply

Connection should be made to a suitably fused power supply via the Remote Switch unit. 4.5kW, 6kW and 9kW must be connected directly to the power distribution board. Connection should be via a 2 pole switched connection unit having a contact separation of at least 3mm in all poles.

All Electrical connections should be made by a suitably qualified person in accordance with the latest edition of the IEE Requirements for Electrical Installation ( BS 7671:2001 )

## Specification



Cat No	Watts	Volts	Heater			Grille			Wt. kgs	Min Inlet Grille area sq.m
			Length A mm	Height H mm	Depth mm	Length B mm	Width mm	Depth mm		
RDH-3000	3000	230	570	210	120	625	145	30	6.0	0.20
RDH-4500	4500	230	570	210	120	625	145	30	6.0	0.20
RDH-6000	6000	230	800	215	120	855	145	30	13.0	0.25
RDH-9000	9000	400/230	1170	215	120	1225	145	30	16.0	0.35

The manufacturers reserve the right to change the specification without prior notice E&OE



Commercial Electric Heat Limited  
 Unit 712 Thorp Arch Trading Estate  
 Wetherby West Yorkshire LS23 7FF  
 Tel 01937 844994 Fax 01937 844123  
[www.cehltd.co.uk](http://www.cehltd.co.uk)  
 email [sales@cehltd.co.uk](mailto:sales@cehltd.co.uk)