

ODH Over Door Heater

CI/SfB

56

TS 29



Applications

The ODH Over Door Heater is designed for use above frequently opened doors to limit the loss of heated air and the ingress of cold air. Typical installations include shops, entrance halls, and workshop/warehouse doors.

The fully adjustable bracket also allows the use of the ODH for general space heating applications where a high level heater is required.

Features

- 3kW, 4.5kW, 6kW and 9 kW units available
- adjustable bracket for wall or ceiling mounting.
- alternative keyhole fixing for secure installation.
- integral switches for heat selection and fan only.
- optional remote switch unit (ODH-RSW)
- pre-connected cable for ease of installation(ODH-3000 and ODH-4500 only).
- over temperature cut out with power off reset.
- **standard finishes - brushed stainless steel (ODH-xxxxSS)**
copper bronze textured powder coating (ODH-xxxxBR)
light grey (RAL7035) textured powder coating (ODH-xxxx)

Control

Control is via rocker switches next to the outlet grille.

ODH-3000 Switch for fan only, and switches for 1kW, 2kW with both for 3kW.

ODH-3000R Switches for 1kW, 2kW with both for 3kW. The ODH-RSW remote switch can be connected to give on/off fan only and heat selection

ODH-4500 Fan only control is achieved by switching of the main power supply switch. Switches for 2.25kW and 2.25kW, both giving 4.5kW.

ODH-4500R Switches for 2.25kW and 2.25kW, both giving 4.5kW. The ODH-RSW remote switch can be connected to give on/off fan only and heat selection

ODH-6000 Switches for fan only 3kW and 3kW both giving 6kW. The ODH-RSW remote switch can be connected to give on/off fan only and heat selection

ODH-9000 Switches for fan only 4.5kW and 4.5kW and both giving 9kW. The ODH-RSW remote switch can be connected to give on/off fan only and heat selection.

Thermostatic and time control (See Ts212)

The ODH-3000 and ODH-4500 can be controlled by remote thermostat and/or time controller of suitable rating connected in the main supply line.

The ODH-6000 and ODH-9000 can be controlled by remote thermostat and/or time controller of suitable rating in the heater control circuit.



Installation [\(Download full installation instructions at www.cehltd.co.uk\)](http://www.cehltd.co.uk)

For optimum effect the heater should be mounted as close as possible to the top of the doorway. The maximum recommended mounting height is 2.3m for 3kW and 2.8m for 4.5, 6.0 and 9.0kW units. Multiple units mounted side by side can be used for wider doorways.

The unit should be securely fixed using the keyhole slots in the back of the unit or the adjustable mounting bracket. The mounting brackets allow easy wall or ceiling mounting.

To reduce the ingress of cold air from a constantly opening door the unit should be directed down. To contribute to the general space heating of the area the unit should be directed at an angle into the area.

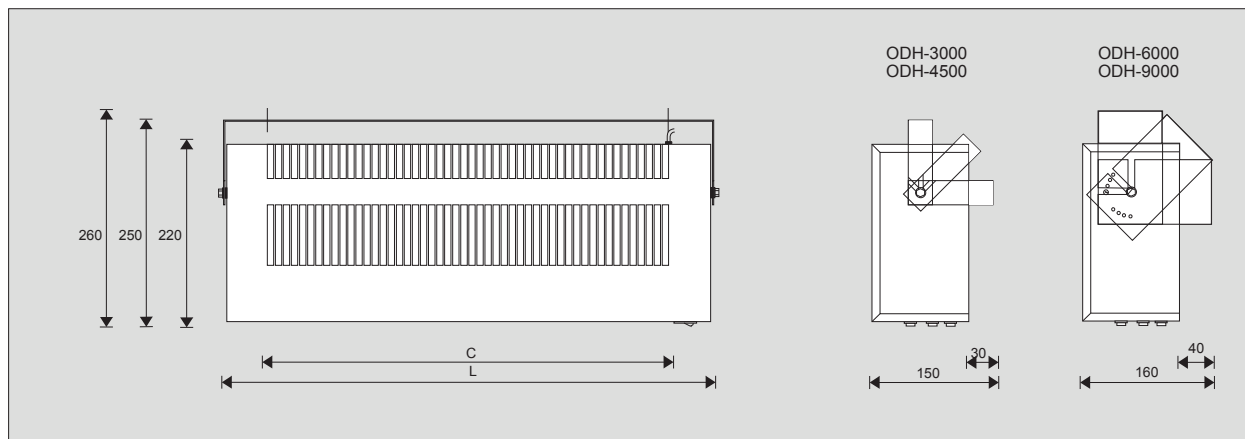
3kW, 4.5kW and 6kW units are only suitable for connection to a 230V single phase power supply. The 9kW is suitable for both a 230V single phase or 400V three phase and neutral supply

ODH-3000 and ODH-4500 are supplied with a pre connected cable for quick connection, the ODH-3000R, ODH-4500R, ODH-6000 and ODH-9000 are supplied with a cable grip gland or can be connected by conduit if preferred.

The 3kW should be connected to a suitably fused power supply. The 4.5kW, 6kW and 9kW must be connected directly to the power distribution board. Connection should be via a 2 pole switched connection unit having a contact separation of at least 3mm in all poles.

All Electrical connections should be made by a suitably qualified person in accordance with the latest edition of the IEE Requirements for Electrical Installation (BS 7671:2001)

Specification



Cat No	Watts	Volts	Length L mm	Height mm	Depth mm	Fixing C mm	Wt. kgs
ODH-3000	3000	230	600	220	120	505	5.0
ODH-4500	4500	230	600	220	120	505	5.0
ODH-6000	6000	230	850	220	120	800	12.0
ODH-9000	9000	400/230	1235	220	120	1185	15.0

The manufacturers reserve the right to change the specification without prior notice E&OE



Commercial Electric Heat Limited
 Burnfoot Industrial Estate
 HAWICK Roxburghshire TD9 8SL
 Tel 01450 372103 Fax 01450 377800
www.cehltd.co.uk
 email sales@cehltd.co.uk