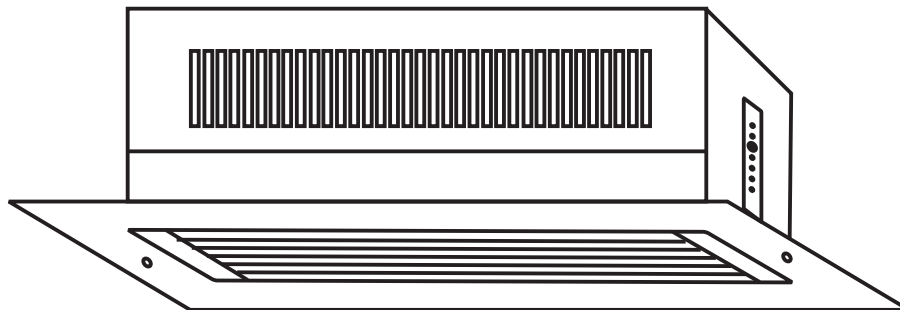


# Installation Instructions

---

## RDH 4500 Recessed Over Door Heater



Complete with **REMOTE SWITCH UNIT**  
for Fan only, 2.25kW and 4.5kW

Please retain for future reference



Commercial Electric Heat Limited  
Unit 712  
Thorp Arch Trading Estate  
WETHERBY  
West Yorkshire  
LS23 7BJ

Tel 01937 844994 Fax 01937 844123  
email [sales@cehltd.co.uk](mailto:sales@cehltd.co.uk)  
web [www.cehltd.co.uk](http://www.cehltd.co.uk)

---

## CONTENTS

Remove from carton and check contents ;

- heater unit
- grille frame and 2 no roundhead woodscrews
- 2 no support brackets, 4 no. machine screws and 4 no woodscrews
- ODH-RSW three switch control unit
- 25mm cord grip bush and locknut

## LOCATION

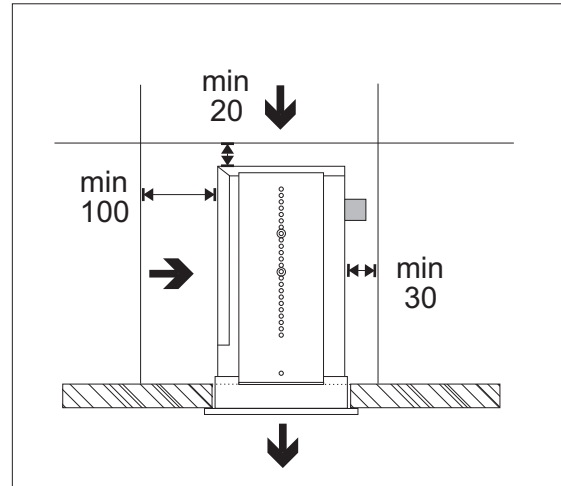
The heater must be installed at least 2.0m above floor level. All round minimum clearance dimensions must be observed.

**The heater is designed to take input air from the ceiling void it is therefore imperative that a suitably sized inlet grille is provided within the ceiling or enclosure.**

**The heater must not be covered or the airflow impeded in any way.**

**If one inlet grille is at its minimum dimension the other must have an unrestricted airflow**

For optimum effect the heater should be mounted as close as possible to the top of the doorway. The maximum recommended mounting height is 2.3m for 3kW and 2.8m for 4.5, 6.0 and 9.0kW units.



## CONTROL

### Remote Switch

The Remote Switch Unit allows ON/OFF, Fan only with 1,2 or 3 kW.

### Thermostat ( CRST )

If a thermostat is required a unit of sufficient current carrying capacity can be connected in the power supply to the Remote switch thus switching the heater off when set temperature is reached.

Alternatively it can be connected to control the heating elements only, the fan will run continuously maintaining air circulation. Remove the "fan switch" to "heat switch" links and link the supply side of the heat switches together then connect the thermostat between the fan switch and the heat switches.

## ELECTRICAL CONNECTION

The heater should be installed in accordance with the latest edition of the IEE Requirements for Electrical Installation (BS 7671:2001)

The unit should be permanently connected to a suitable 230Vac power supply incorporating a means of isolation having a contact separation of at least 3mm in all poles.

Remove heater cover, position heater in ceiling ( See Fixing). Fix remote switch unit in suitable location. Select cabling with 4 cores and earth and of appropriate size for current and volt drop.

Pass cable/s through cord grip in back of unit. Leave sufficient length for connection but ensuring cables do not foul blower unit. Make off connections to connector block and earth stud in accordance with circuit diagram RDH-W-001 (copy on back page )

If remote switching is not required connect power supply to L and N and link L,LI and LII with 2.5sqmm cable.

Tighten up cord grip. Replace cover.

**IMPORTANT : always check to ensure the heating elements cannot be energised without the fan running.**

### WARNING THE HEATER MUST BE EARTHED

### OVER TEMPERATURE CUT OUT

Should the heater exceed normal operating temperature the over temperature cut out on the heating elements will operate.

**To RESET** - switch off power to the unit and allow to cool before switching on again. If the problem persists consult a suitably qualified person.



---

## FIXING

This unit is designed for installation in a plasterboard or similar ceiling where a free height above the surface of the ceiling is at least 230mm. It is also sized to fit within a standard 600mm x 600mm modular ceiling system.

### Fitting in plasterboard type ceiling or bulkhead

A 580mm x 130mm hole should be made in the ceiling and suitably framed.

Fix support brackets, with machine screws provided, to screwed inserts in side of unit

The unit can be fixed in two ways depending on access available. (Note future access will be required for servicing)

1) Locate the brackets flush with the front of the heater. Place unit in ceiling from below and secure brackets with woodscrews provided. (see Fig 1). Ensure sufficient space is left to allow the insertion of the grille frame between heater and bracket. This option may require electrical connection prior to positioning. The grille frame is then positioned and fixed with the 2 round headed screws provided.

2) Locate the brackets to sit on top of the support frame (see Fig 2). Position the grille frame in the opening and loosely fix with the 2 round headed screws provided. Place unit in ceiling from above and position within grille frame. Secure brackets with woodscrews provided, tighten grille frame fixing screws.

### Fitting in modular ceiling.

The unit weighs 6kgs and as such can be mounted directly in a correctly installed modular ceiling. As an added precaution additional ceiling supports can be added adjacent to the heater. Locate the brackets to sit on top of the T bar frame. The ceiling tile is cut back as appropriate and finished either with the grille frame or an additional T bar section.

### Drop rod fixing

Additional fixings may be required if the ceiling construction is not strong enough to take the heater weight. Two 8mm holes are provided in the top of the heater to allow the fixing of drop rods (by others).

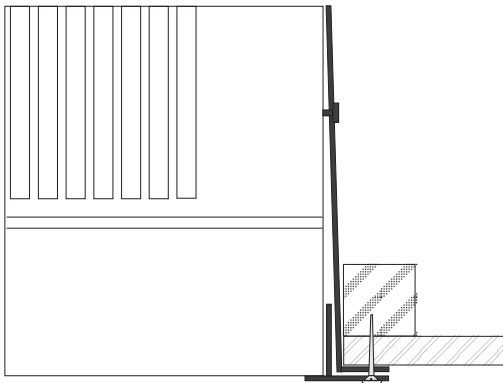


Fig 1

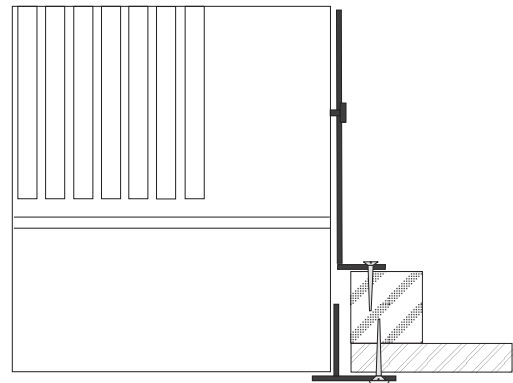


Fig 2

## MAINTENANCE

Isolate the heater and remove any build up of dust etc. every 6 months. Check that the heater has not been covered or the airflow restricted in any way.



Commercial Electric Heat Limited  
Wetherby LS23 7BJ

No	Part No	Description
1	B082-01	Heating element
2	D002-01	Fan motor
3	F015	Connector block
4	C002	Blower unit
5	ODH-RSW	Remote Switch Unit
6		Over temp cut out

No	Revision	Date
1	Add external cut out	11/04

Title **RDH 4500  
Recessed Over Door  
Heater**

Drawn by **NEB** Date **06/09/00**

Scale **1:1** Drawing No. **RDH-W-002** Rev **1**

