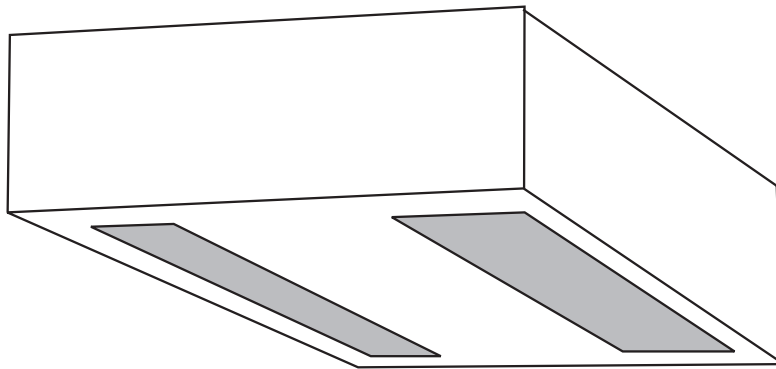


Installation Instructions

The RCHB 4200 Ceiling heater for surface mounting



Complete with **REMOTE SWITCH UNIT**
for Fan only, 4.5 and 2.25kW

Please retain for future reference



Commercial Electric Heat Limited
Unit 712
Thorp Arch Trading Estate
WETHERBY
West Yorkshire
LS23 7BJ

Tel 01937 844994 Fax 01937 844123

CONTENTS

Remove from carton and check contents ;

- heater unit
- RCH-RSW three switch control unit

LOCATION

The heater must be installed at least 2.0m above the floor.

The heater can be positioned in the corner of a ceiling but for better heat distribution at least 600mm from each wall is preferable.

The unit should not be positioned over desks, counters or high level display racking wherever a constant flow of heated air may be uncomfortable or cause overheating of equipment.

If required the unit can be covered with non flammable insulating material to maintain the integrity of the ceiling insulation.

CONTROL

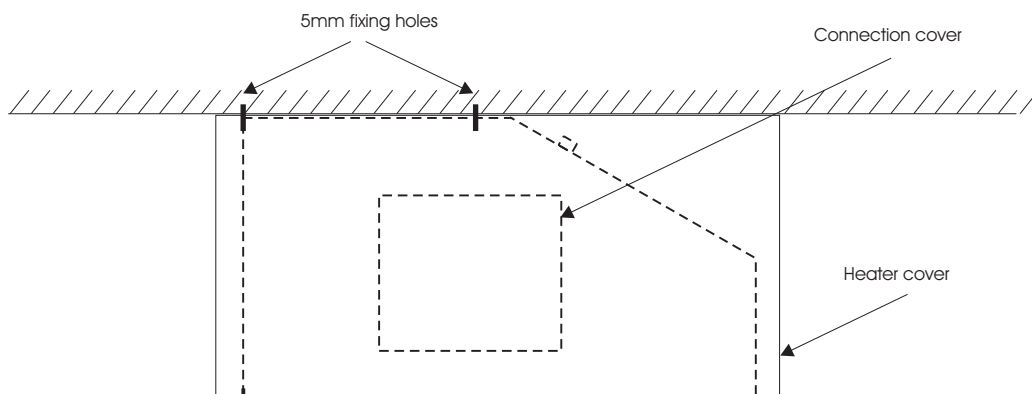
Remote Switch

The Remote Switching Unit allows ON/OFF, Fan only with 2.25 or 4.5 kW.

Thermostat (CRST)

If a thermostat is required it can be connected in the power supply to the Remote switch thus switching the unit off totally when set temperature is reached.

Alternatively it can be connected inside the switch unit between the Fan switch and the heat switches by removing the internal connection. This will control the heating elements only. The fan will run continuously maintaining air circulation.



FIXING

This heater is designed for surface installation to any ceiling that can adequately support the unit. The unit weighs 9kgs.

Remove the front cover of the unit

Fixings are made through the top flat section of the heater body using the 4 No 5mm holes provided. This section must be flat on the ceiling as the edges of the cover are designed to fit against the ceiling.

Securely fix the heater and make off the electrical connections taking into account the routing of cables in relation to the cover. Ensure fixings and cables are clear of moving parts and the heater elements.

Re fix the cover ensuring the fan outlet is adjacent to the smaller outlet grille.

ELECTRICAL CONNECTION

The heater should be installed in accordance with the latest edition of the IEE Requirements for Electrical Installation (BS 7671:2001)

Position heater in ceiling (See Fixing)

Remove side connection cover (2 set screws)

Position remote switch unit in suitable location.

Select cabling with 4 cores and earth of appropriate size for current and volt drop.

Pass cable/s through cord grip in top of unit. Leave sufficient length for connection but ensuring cables do not foul blower unit. Make off connections to connector block and earth stud in accordance with circuit diagram RCH-W-007 (copy on back page and on top of unit)

If remote switching is not required connect power supply to L and N and link L,LI and LII with 1.5sqmm cable.

Tighten up cord grip. Replace connection cover plate. Replace heater cover.

IMPORTANT : always check to ensure the heating elements cannot be energised without the fan running.

WARNING THE HEATER MUST BE EARTHED

OVER TEMPERATURE CUT OUT

Should the heater exceed normal operating temperature the over temperature cut out on the heating elements will operate.

To RESET - switch off power to the unit and allow to cool before switching on again. If the problem persists consult a suitably qualified person.

MAINTENANCE

Isolate the heater and remove any build up of dust etc. every 6 months. Check that the heater has not been covered or the airflow restricted in any way.



Commercial Electric Heat Limited
Wetherby LS23 7BJ

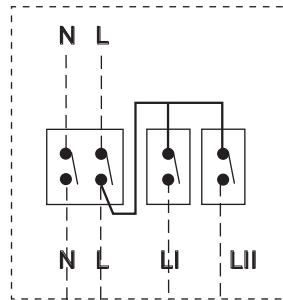
No	Part No	Description
1	B082-01	Heating element
2	D002-01	Fan motor
3	F0015	Connector block
4	C001	Blower unit
5		Over temp cut outs
6	RCH-RSW	Remote Switch Unit

No	Revision	Date
1	Add external cut outs	11/04

Title **RCHS/R 4200**
Recessed Ceiling Htr

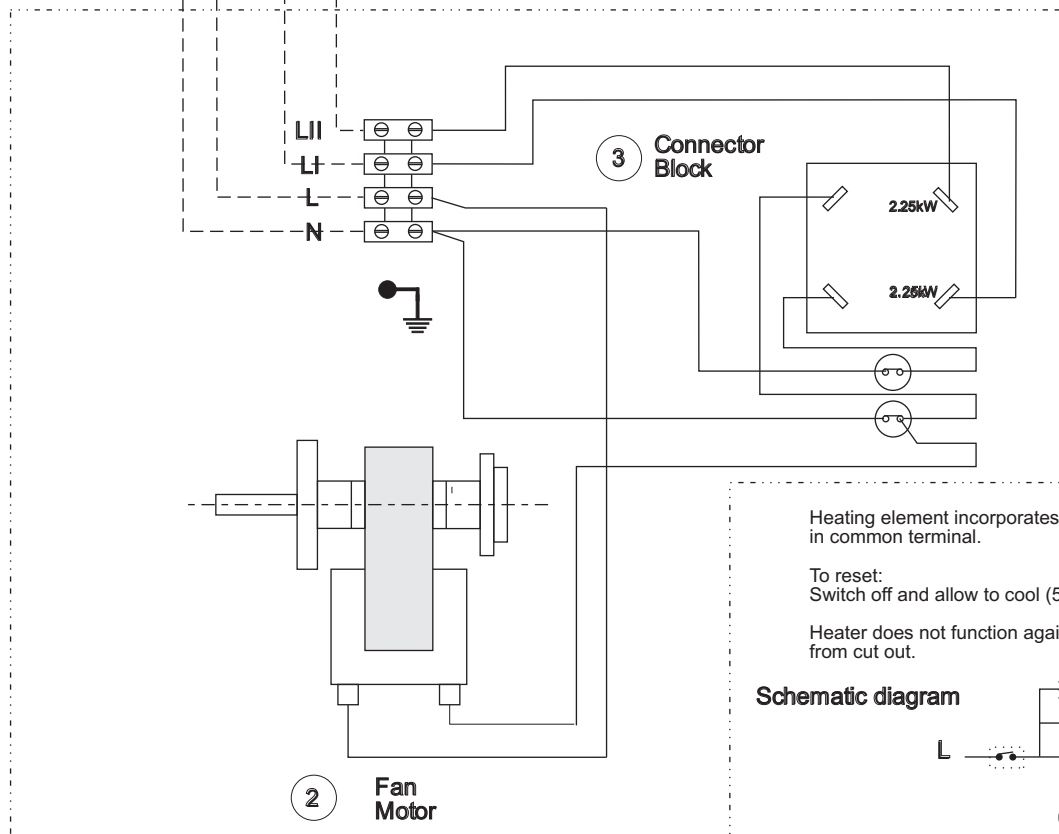
Drawn by **NEB** Date **10.06.98**

Scale **nts** Drawing No. **RCH-W-008** Rev **1**



6 Remote Switch **RCH-RSW**

IMPORTANT:
Any modification to the switching in this circuit must ensure that the heating elements cannot be energised without the fan running.



1 Heating Element

4 Blower Unit

5 Over temp cut out

2 Fan Motor

3 Connector Block

Heating element incorporates over temperature cut out in common terminal.

To reset:
Switch off and allow to cool (5 minutes) then restore supply

Heater does not function again until power has been removed from cut out.

Schematic diagram

