

# Installation Instructions

## ODH-9000 Over Door Heater

Reference  
J187c

### CONTENTS.

Remove from carton and check contents:

- heater unit
- 2 no. mounting brackets
- 2 no. M6 bolts, 2 no. spring washers, 4 no. plain washers
- 2 no. M4 set screws, 2 no. shakeproof washers.
- 1 no. cord grip gland and lock nut

Ensure all packing material is removed and inlet/outlet grilles are clear.

### LOCATION.

This heater is designed for high level use above frequently used doorways. It must not be installed less than 1.8metres from floor level and the maximum recommended mounting height is 2.8m. It should not be positioned immediately below a fixed socket outlet. Optimum performance is achieved when the heater is positioned as close to the top of the door as possible. For wider doorways multiple units can be installed giving a continuous curtain of hot air.

### FIXING.

The heater can be mounted either a) directly to the wall or b) to the wall or ceiling using the brackets supplied.

a) The unit is mounted directly to the wall via five keyhole slots and fixed via four holes.

- 1) Securely fix five No.10 screws (not supplied) at 285mm centres 208mm above desired position for outlet grille.
- 2) Slide unit over screws and ensure secure fixing.
- 3) Remove the front cover and securely fix via the four lower mounting holes.

(DISCONNECT FROM POWER SUPPLY BEFORE REMOVING COVER)

b) The bracket can be fixed to either the wall or ceiling provided secure fixings can be made

- 1) Remove plugs from holes in end of unit, loosely fit M6 bolts with plain washer and shakeproof washer closest to head and plain washer between heater and bracket.
- 2) Provisionally place in brackets to ascertain optimum location and mark fixing holes (2 no. 40mm apart 1190mm between centres)
- 3) Remove from heater and securely fix brackets
- 4) Replace heater at appropriate angle by aligning with holes in bracket. Tighten set screws and bolts securely.

### ELECTRICAL CONNECTIONS.

Connections are made in accordance with the circuit diagram by cable via the cord grip gland or by conduit entry if preferred. If necessary the adjacent hole plug is removed for connection of the remote switch.(ODH-RSW)

The Heater should be installed in accordance with the latest edition of the IEE Regulations for Electrical Installations (BS 7671 :2001) by a suitably qualified person.

The unit should be permanently connected to a suitable 230Vac single phase or 400Vac three Phase and neutral 50Hz. power supply incorporating a means of isolation. For single phase connection connect L1,L2 and L3 together with 2.5mm<sup>2</sup> cable and connect supply to L1and N

**Note: Ensure link between L1 and Lt is secure otherwise heater will not operate**

**WARNING: THE HEATER MUST BE EARTHED.**



## OVER TEMPERATURE CUT OUT

Should the heater exceed normal operating temperature the over temperature cut outs on the heating elements will operate.

**To RESET** - switch off power to the unit and allow to cool before switching on again. If the problem persists consult a suitably qualified person.

Note:- **Do not cover the unit** or allow the inlet grille to be obstructed as this could cause over heating and possible damage.

## CONTROLS.

Control is by the 3 switches located next to the outlet grille.

- Blue: - Fan on
- One red: - Fan and half heat (4.5 kW)
- Both reds: - Fan and full heat (9.0 kW)

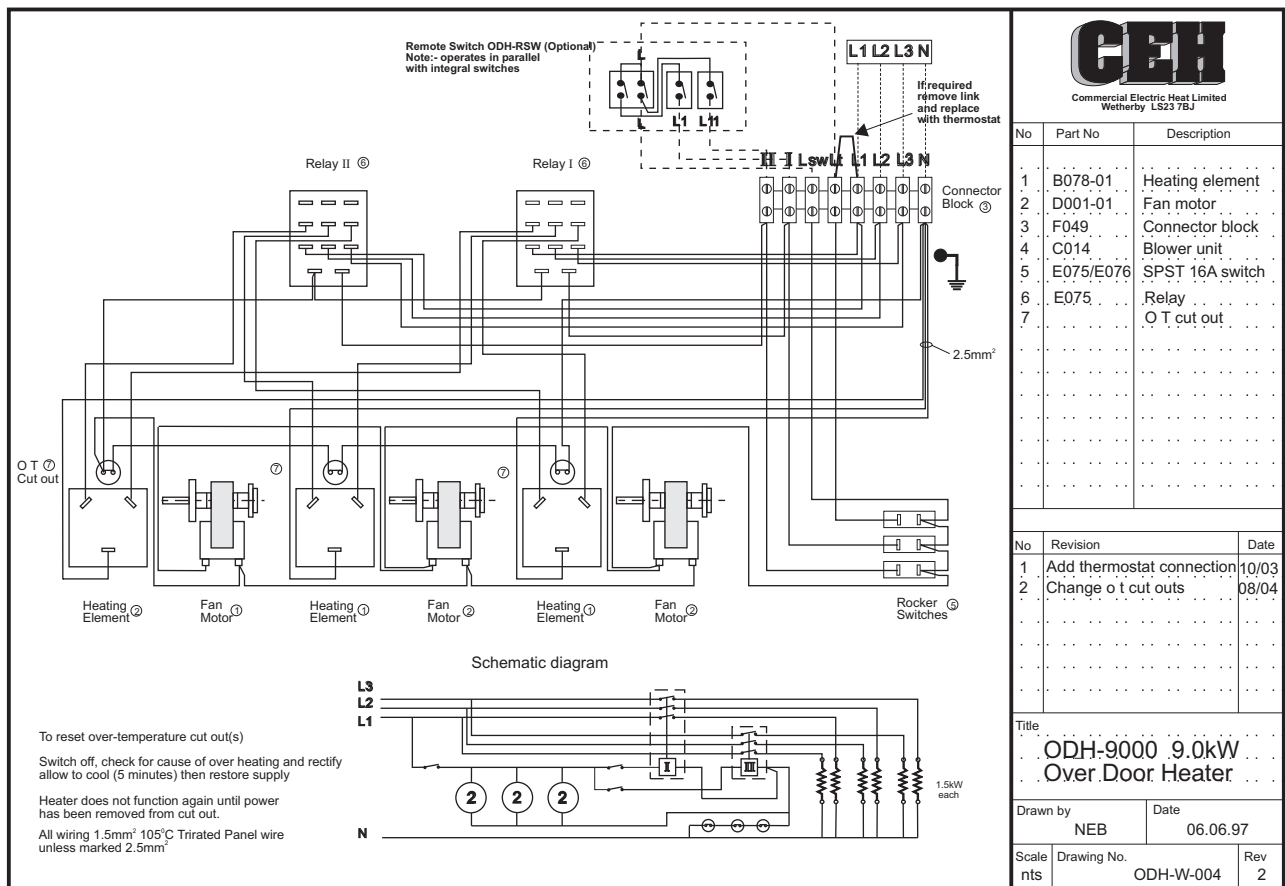
Note: the switches are electrically interlocked to ensure the heat cannot be on without the fan operating.

Remote operation can be achieved with the ODH-RSW connected as the circuit diagram. This duplicates the integral switching consequently these switches must be in an OFF position to allow full remote control.

If a thermostat is required remove link between L1 and Lt and replace with connection to thermostat. A thermostat with at least a 3A rating is required.

## CLEANING

The heater should be cleaned occasionally to reduce the build up of dust which may cause the unit to overheat.



Please keep these instructions for future reference

The Manufacturers reserve the right to change the specification without prior notice EO&E

L11



Commercial Electric Heat Limited  
Thorp Arch Trading Estate  
WETHERBY  
West Yorkshire  
LS23 7BJ

Tel 01937 844994 Fax 01937 844123