

Installation Instructions CUH wall/ceiling swivel bracket

Reference
J178b

CUH-C35 for use with CUH-03 and 05
CUH-C720 for use with CUH-07 to 15
CUH-C2550 for use with CUH-20 to 40

WALL

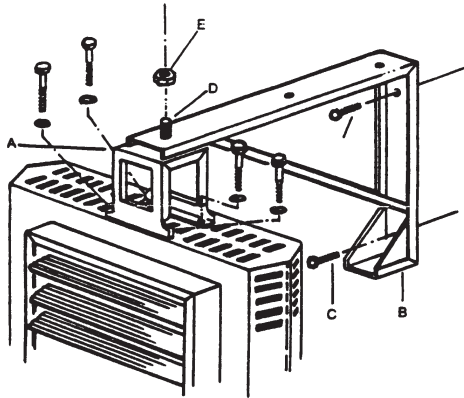


Fig. 1

CEILING

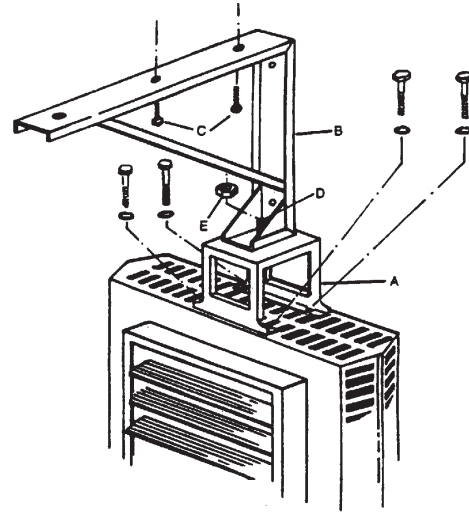


Fig. 2

SAFETY

The correct procedures for working at height must be adopted when installing this heater. CUH07 and larger units weigh over 20kgs and care should be taken with their handling. The heater must be installed by a suitably qualified person in accordance with current regulations.

- 1) Attach hanger base "A" to top of heater with the four 5/16 set screws and lock washers.
- 2) Attach main hanger frame "B" to wall or ceiling in desired position ensuring fixings are adequate to take the full weight of the heater..
- 3) Lift heater into position inserting stud "D" through hole in main hanger frame and attach lock nut "E" tightening to within two turns of being fully tightened.
- 4) Swivel heater to desired position, tighten lock nut .

Minimum mounting distances

300mm from ceiling and wall

1.8m from floor to bottom of heater

WARRANTY

This product is guaranteed, in accordance with our Conditions of Sale, for a period of 12 months from date of purchase. We will repair or replace, at our discretion, any part found to be defective. We cannot accept responsibility for any consequential liability.

The warranty will be invalid if the heater has not been installed in accordance with these instructions. This does not affect your statutory rights.

The manufacturers reserve the right to change the specification at any time without prior notice E&OE

P01



Commercial Electric Heat Limited
Unit 712
Thorp Arch Trading Estate
WETHERBY
West Yorkshire
LS23 7BJ

Tel 01937 844994 Fax 01937 844123
Email sales@cehltd.co.uk Web www.cehltd.co.uk