

# Installation Instructions CUH wall/ceiling swivel bracket

Reference  
J178a

CUH-C35 for use with CUH-03 and 05  
CUH-C720 for use with CUH-07 to 15  
CUH-C2550 for use with CUH-20 to 40

## WALL

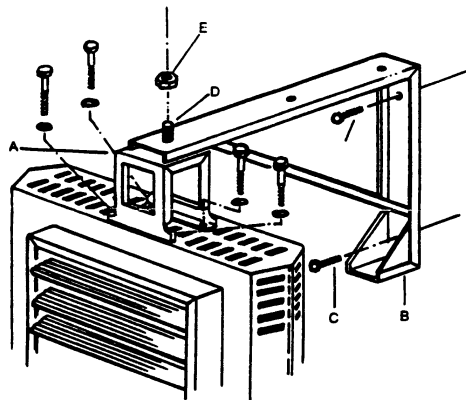


Fig. 1

## CEILING

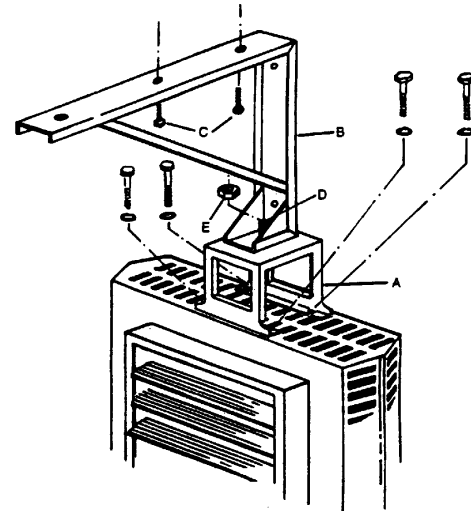


Fig. 2

- 1) Attach hanger base "A" to top of heater with the four 5/16 set screws and lock washers.
- 2) Attach main hanger frame "B" to wall or ceiling in desired position ensuring fixings are adequate to take the full weight of the heater.
- 3) Lift heater into position inserting stud "D" through hole in main hanger frame and attach lock nut "E" tightening to within two turns of being fully tightened.
- 4) Swivel heater to desired position, tighten lock nut .

### Minimum mounting distances

300mm from ceiling and wall

2.2m from floor to bottom of heater

The manufacturers reserve the right to change the specification at any time without prior notice E&OE



Commercial Electric Heat Limited  
Unit 712  
Thorp Arch Trading Estate  
WETHERBY  
West Yorkshire  
LS23 7BJ

Tel 01937 844994 Fax 01937 844123