

Installation Instructions CWB/C Recessed Fan Heater

Reference
J160b

Remove from carton and check contents :-

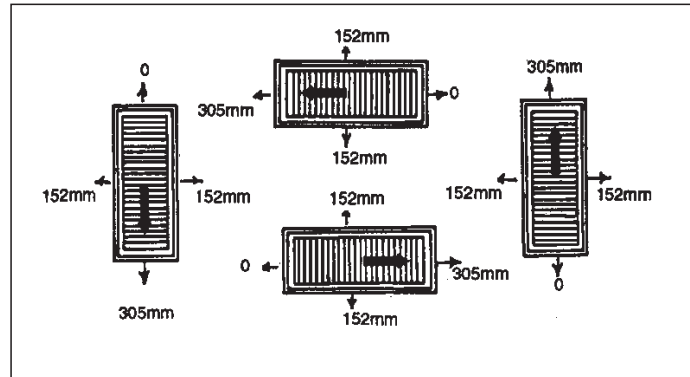
- grille and fixing screws (2)
- heater assembly and fixing screws (2)
- recess box CWB-B

CAUTION

**DO NOT use in areas where an AVERAGE temperature of 5 deg.C or less is to be maintained.
DO NOT mount beneath towel rails or behind doors or in any way obstruct the heater airflow.**

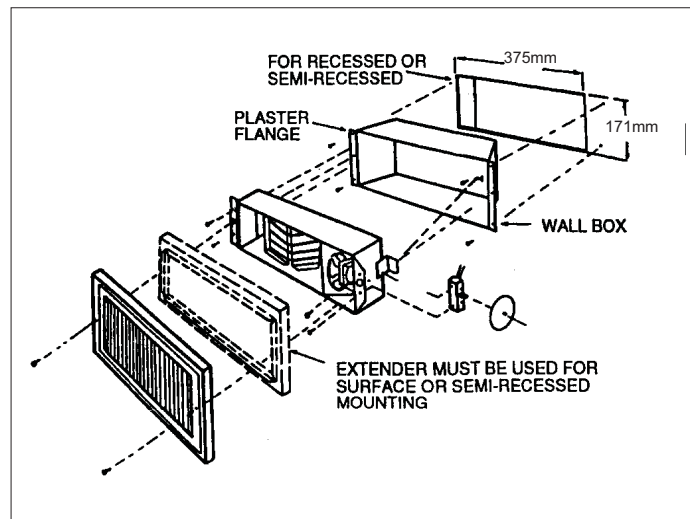
HEATER LOCATION

The heater may be mounted on the wall (near ceiling or floor; airflow left, right, up or down.) To ensure proper air distribution minimum spacing from heater to closest adjacent wall, floor or ceiling as shown in diagram must be observed. Mount heater box with label arrow in direction of airflow. When RECESSED the flanges of the wall box MUST be on the finished surface of the wall .



RECESSED MOUNTING

- 1) Create cut-out 375mm x 171mm in wall ensuring adequate fixing locations are available.
- 2) Remove appropriate knock out and fix recess box. Pull through sufficient cable to make connections.
- 3) Make connections to terminal block and earth screw.
- 4) Install heater assembly into recess box ensuring tongue on back of heater is fully engaged in slot in box.
- 5) Secure heater in box with two screws provided.
- 6) Assemble grille to heater fixing with two screws provided, aligning thermostat wheel if specified.



SURFACE MOUNTING

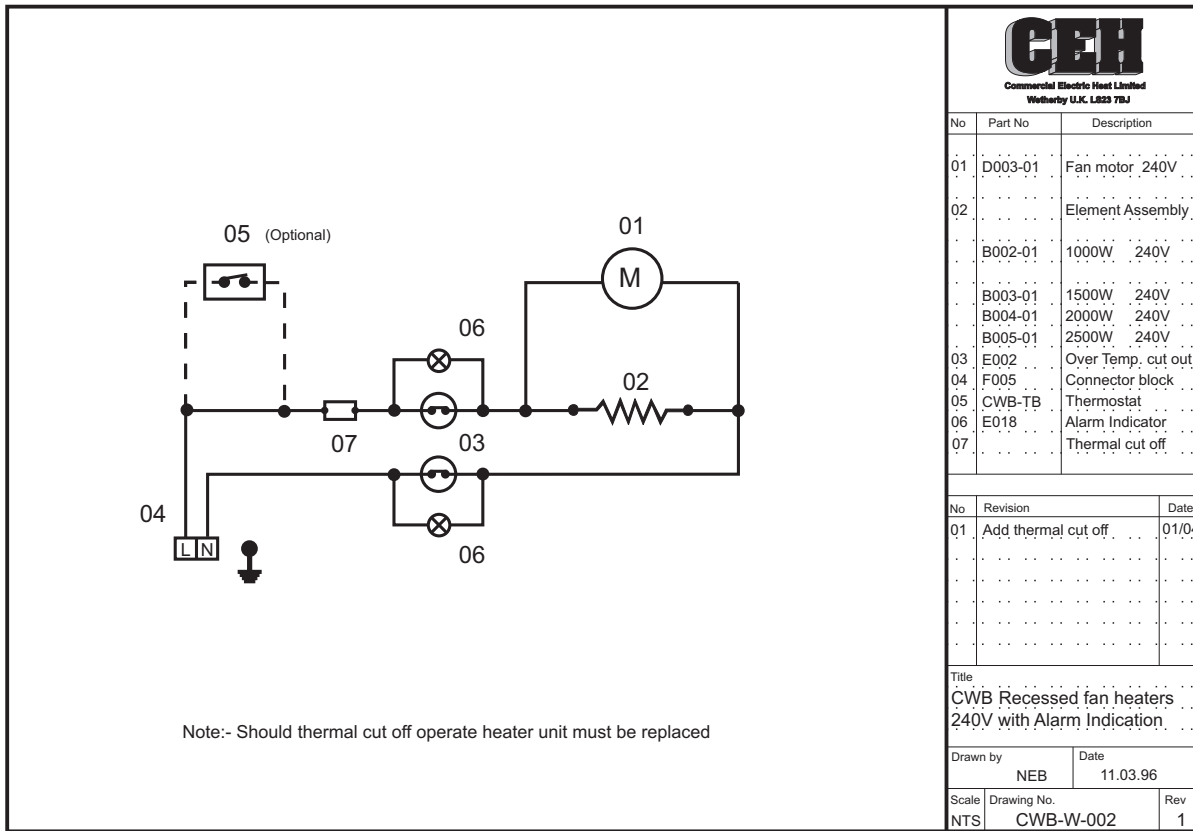
- 1) Securely fix recess box to wall via fixing holes in back.
- 2) Proceed as for recessed fixing (2 - 5).
- 3) Position surface box over unit and fix grille with screws provided clamping box between wall and grille.
- 4) Align thermostat wheel if specified.



ELECTRICAL CONNECTIONS.

The heater should be installed in accordance with the latest edition of the Requirements for Electrical Installations (BS7671:2001) by a suitably qualified person.
 The unit should be permanently connected to a suitable 230Vac 50Hz power supply incorporating a means of isolation having a contact separation of at least 3mm in all poles:-

WARNING: THE HEATER MUST BE EARTHED.



This heater is fitted with a visual indication if parts of the heater are overheating. If the alarm illuminates immediately disconnect power and inspect any objects on or near the heater that may be causing high temperatures.

DO NOT OPERATE HEATER WITH ALARM ILLUMINATED

This heater employs automatic reset high temperature limit control(s) designed to open if excessive high temperatures occur.
 A thermal cut off limit control is used in the heater/fan circuit and should it operate the heater must be replaced.

CLEANING

The heater should be cleaned occasionally to reduce the build up of dust which may cause the unit to overheat.

THERMOSTAT OPERATION (if fitted)

Turn thermostat fully clockwise. Allow heater to run until room is at desired temperature.
 NOTE: Heater must run for approx. 5 minutes before thermostat will control at desired comfort level.
 Turn thermostat counterclockwise until heater just turns off.

WARRANTY

This product is guaranteed, in accordance with our Conditions of Sale, for a period of 12 months from date of purchase. We will repair or replace, at our discretion, any part found to be defective. We cannot accept responsibility for any consequential liability.
 The warranty will be invalid if the heater has not been installed in accordance with these instructions.
 This does not affect your statutory rights.

Please keep these instructions for future reference.

The manufacturers reserve the right to change the specification at any time without prior notice E&OE

N11



Commercial Electric Heat Limited
 Unit 712
 Thorp Arch Trading Estate
 WETHERBY
 West Yorkshire
 LS23 7BJ

Tel 01937 844994 Fax 01937 844123
 Email sales@cehltd.co.uk Web www.cehltd.co.uk