

# Installation Instructions CHDA Surface Installation

Reference  
J098a

To be read in conjunction with J062 CHDA Installation instructions

Remove from carton and remove all packing materials.

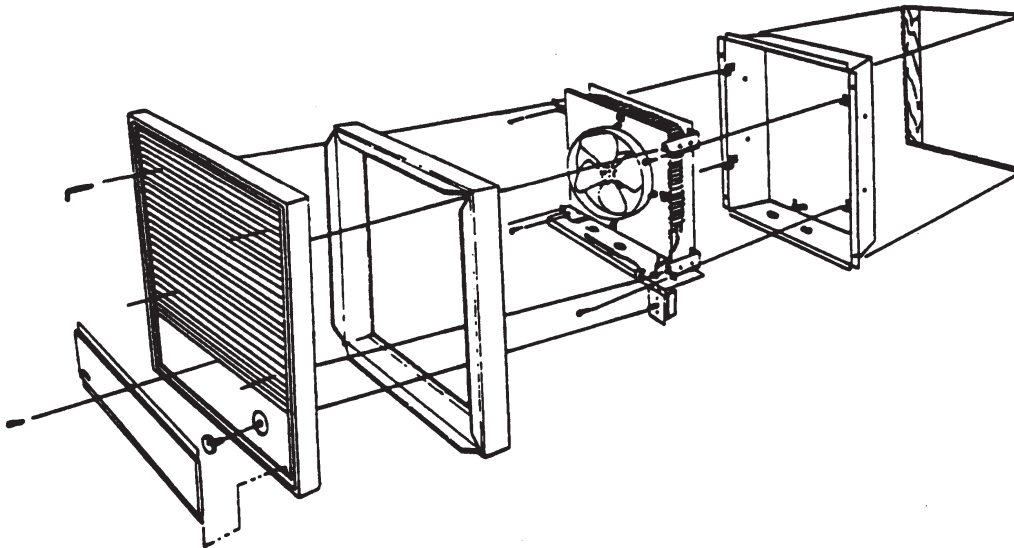
## HEATER LOCATION

The CHDA-S Surface mounting box allows the CHDA Fan Forced Wall Heaters to be mounted where suitable fixings are available

The heater must be mounted vertically on the wall with the control cover at the bottom. To ensure proper air distribution a minimum spacing from heater to closest adjacent wall, floor or ceiling of 300mm must be observed.

## SURFACE MOUNTING

- 1) Remove heater assembly from CHDA-R Recess box.
- 2) Securely fix recess box to wall via fixing holes in back.
- 3) Pull through sufficient cable to make connections.
- 4) Install heater assembly into recess box and replace screws (4)
- 5) Make connections to terminal block and earth screw.
- 6) Place surface box CHDA-S over recess box.
- 7) Fit grille to heater securing with captive screws (4) using allen key supplied. The surface box is captured between the heater grille frame and the finished wall.
- 8) Fit thermostat knob to thermostat spindle. For tamperproof controls fit plate to lower part of grille and secure with allen key provided.



## WARRANTY

This product is guaranteed, in accordance with our Conditions of Sale, for a period of 12 months from date of purchase. We will repair or replace, at our discretion, any part found to be defective. We cannot accept responsibility for any consequential liability.

The warranty will be invalid if the heater has not been installed in accordance with these instructions. This does not affect your statutory rights.

Please keep these instructions for future reference.

The manufacturers reserve the right to change the specification at any time without prior notice E&OE

P01



Commercial Electric Heat Limited  
Unit 712  
Thorp Arch Trading Estate  
WETHERBY  
West Yorkshire  
LS23 7BJ

Tel 01937 844994 Fax 01937 844123  
Email sales@cehltd.co.uk Web www.cehltd.co.uk