

Installation Instructions CHDA Surface Installation

Reference
J098

To be read in conjunction with J062 CHDA Installation instructions

Remove from carton and remove all packing materials.

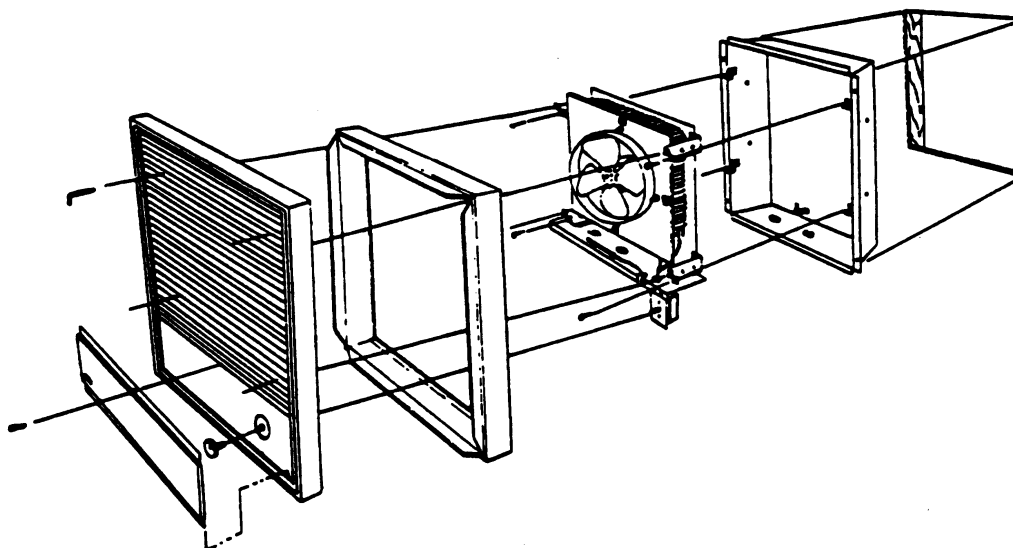
HEATER LOCATION

The CHDA-S Surface mounting box allows the CHDA Fan Forced Wall Heaters to be mounted where suitable fixings are available

The heater should be mounted vertically on the wall with the control cover at the bottom. To ensure proper air distribution a minimum spacing from heater to closest adjacent wall, floor or ceiling of 300mm must be observed.

SURFACE MOUNTING

- 1) Remove heater assembly from CHDA-R Recess box.
- 2) Securely fix recess box to wall via fixing holes in back.
- 3) Pull through sufficient cable to make connections.
- 4) Install heater assembly into recess box and replace screws (4)
- 5) Make connections to terminal block and earth screw.
- 6) Place surface box CHDA-S over recess box.
- 7) Fit grille to heater securing with captive screws (4) using allen key supplied
- 8) Fit thermostat knob to thermostat spindle. For tamperproof controls fit plate to lower part of grille and secure with allen key provided.



MAINTENANCE

The unit should be cleaned regularly to reduce build up of dust.

Please keep these instructions for future reference.

The manufacturers reserve the right to change the specification at any time without prior notice E&OE



Commercial Electric Heat Limited
Unit 712
Thorpe Arch Trading Estate
WETHERBY
West Yorkshire
LS23 7BJ

Tel 01937 844994 Fax 01937 844123