

Installation Instructions CQAC Fan Forced Wall Heater

Reference
J061b

- Remove from carton and check contents :-
- grille, frame and fixing screws
 - heater assembly fitted in CQAC-R recess box
 - fixing screws (4)

HEATER LOCATION

The heater should be mounted vertically on the wall with the airflow down. To ensure proper air distribution a minimum spacing from heater to closest adjacent wall, floor or ceiling of 200mm must be observed. When RECESSED the flanges of the wall box MUST be on the finished surface of the wall .

RECESSED MOUNTING

- 1) Remove heater assembly (B) from CQAC-R Recess box (A) by removing 7 screws.
- 2) Create cut-out 491mm x 362mm in wall ensuring adequate fixing locations are available.
- 3) Remove appropriate knock out (K) and fix recess box. Pull through sufficient cable to make connections.
- 4) Make connections to terminal block and earth screw.
- 5) Install heater assembly into recess box and replace screws (7).
- 6) Fit grille (F) to heater securing with screws (4) supplied
- 7) Fit frame (P) to grille and secure with single screw in lower edge.


SURFACE MOUNTING

- 1) Securely fix recess box to wall via fixing holes in back.
- 2) Place surface box CQAC-S over recess box.
- 3) Use bottom knock-out only for surface fixing.
- 4) Proceed as for recessed fixing clamping box between wall and grille.

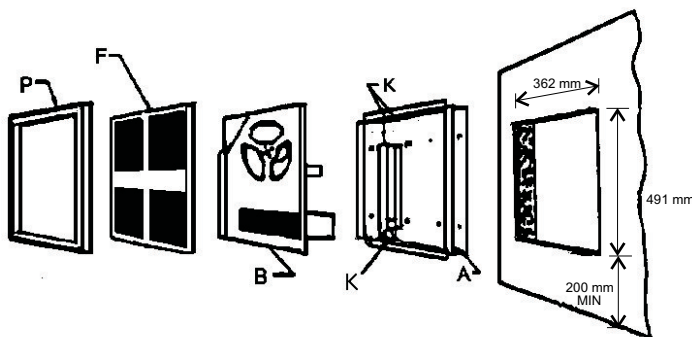
ELECTRICAL CONNECTIONS

All connections should be made to current regulations by a suitably qualified person. CQAC1500, 2000 and 3000 can be connected via a 13A plug top. All units can be permanently connected to the power supply incorporating a means of isolation having a contact separation of at least 3mm in all poles.

Connect as follows:-

Green yellow wire to terminal marked E, with earth symbol  or coloured green or green-yellow.
Blue wire to terminal marked N or coloured black.
Brown wire to terminal marked L or coloured red.

THE UNIT MUST BE EARTHED



CONTROL

The heater is fitted with a double pole on/off switch operated through the grille.
A fan delay unit is fitted, this operates on both the on and off cycle of thermostat operation.
NOTE: On switch on there will be a delay as the elements heat up before the fan operates.

THERMOSTAT OPERATION

Turn thermostat fully clockwise. Allow heater to run until room is at desired temperature.
NOTE: Heater must run for approx. 5 minutes before thermostat will control at desired comfort level.
Turn thermostat counterclockwise until heater just turns off.

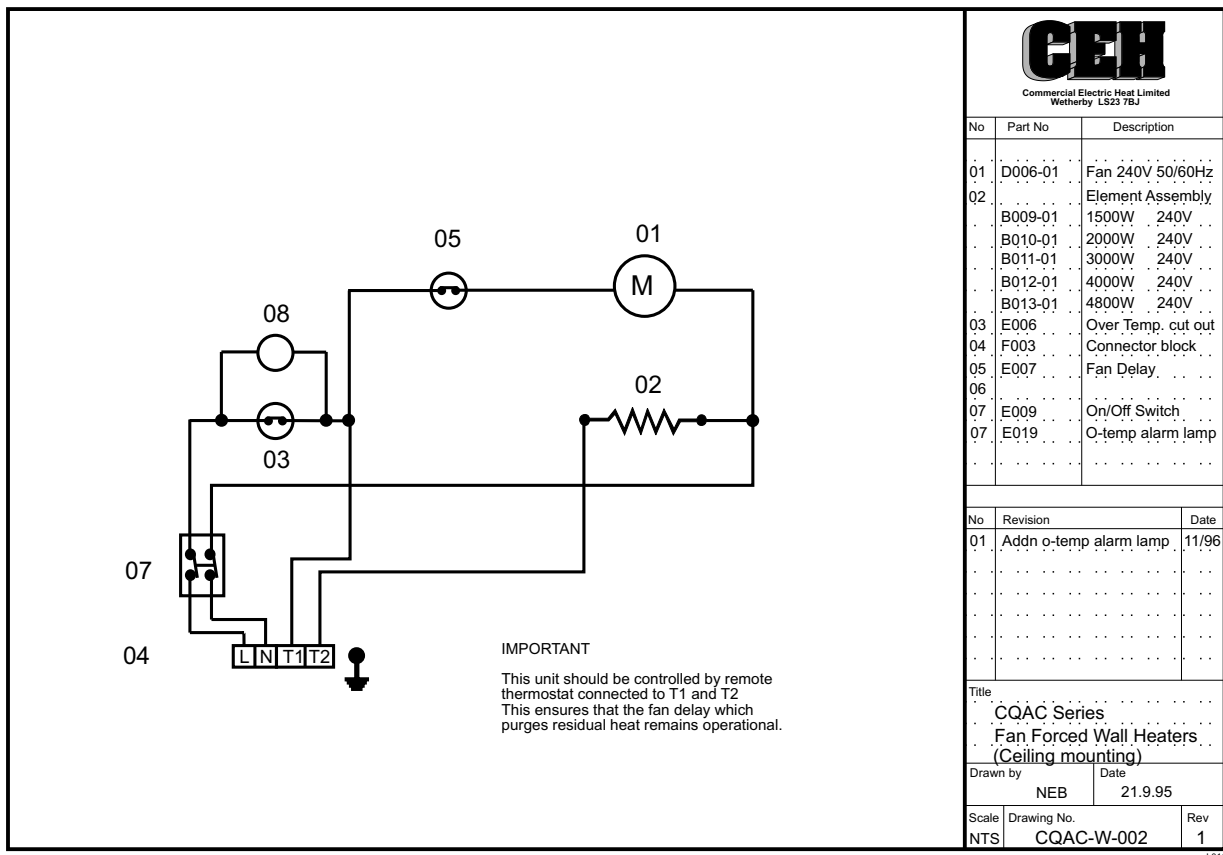
ALARM INDICATOR LAMP

This heater incorporates a visual alarm to warn that parts of the heater are getting excessively hot. If the alarm lamp illuminates disconnect from power supply and inspect for any objects on or adjacent to the heater that may cause high temperatures.

DO NOT OPERATE THE HEATER WITH ALARM LAMP ILLUMINATED

MAINTENANCE

The unit should be cleaned every year to reduce build up of dust and the motor oiled with a light oil.



Commercial Electric Heat Limited
Wetherby LS23 7BJ

No	Part No	Description
01	D006-01	Fan 240V 50/60Hz
02		Element Assembly
	B009-01	1500W 240V
	B010-01	2000W 240V
	B011-01	3000W 240V
	B012-01	4000W 240V
	B013-01	4800W 240V
03	E006	Over Temp. cut out
04	F003	Connector block
05	E007	Fan Delay
06		
07	E009	On/Off Switch
07	E019	O-temp alarm lamp

No	Revision	Date
01	Addn o-temp alarm lamp	11/96

Title
CQAC Series
Fan Forced Wall Heaters
(Ceiling mounting)

Drawn by
NEB

Date
21.9.95

Scale Drawing No. Rev
NTS CQAC-W-002 1

Please keep these instructions for future reference.

The manufacturers reserve the right to change the specification at any time without prior notice E&OE

C11



Commercial Electric Heat Limited
Unit 708
Thorp Arch Trading Estate
WETHERBY
West Yorkshire
LS23 7BJ

Tel 01937 844994 Fax 01937 844123