

Installation Instructions CFD Floor Drop In Fan Heater

Reference
J059a

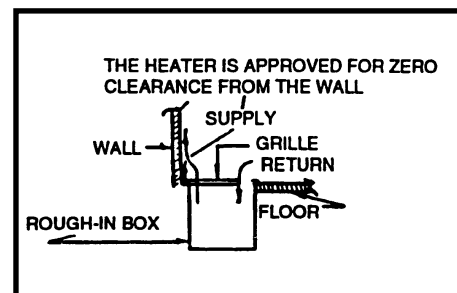
Remove from carton and check contents :-
- grille and fixing screws (2)
- heater assembly

CAUTION

DO NOT mount heater where obstruction of the heater airflow might occur such as below drapes or

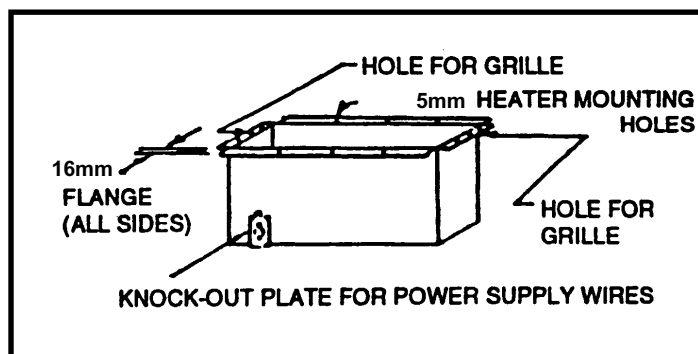
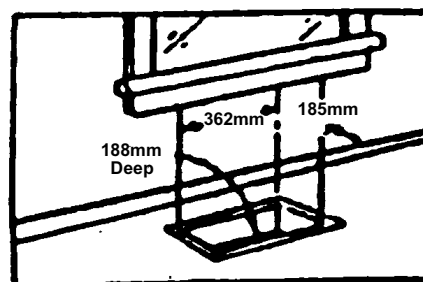
HEATER LOCATION

The heater is for mounting in floors or sills. Do NOT install in heavily trafficked areas such as doorways. The heater can be mounted with zero clearance to walls and joists. Flow and return air is via the top grille hence fitting in a solid floor is



INSTALLATION

- 1) Create cut-out 362mm x 191mm in floor ensuring at least a depth of 185mm from the surface.
- 2) Remove grille by removing two screws. Remove knock out plate and appropriate knock out for side or bottom connections. Pull through sufficient cable to make connections.
- 3) Make connections to terminal block and earth screw. The unit is supplied for 240Vac operation.
- 4) Place heater in the opening and secure to floor with screws (not supplied).
- 5) Replace grille and fix with two screws previously removed.



ELECTRICAL CONNECTIONS.

All connections should be made to current regulations by a suitably qualified person. The unit should be connected to a suitable 240Vac 50Hz. power supply via a two pole switched connection unit or a 13A fused plug top.

Connect as follows:-

- Green-yellow wire to terminal marked E , with earth symbol or coloured green or green-yellow.
- Blue wire to terminal marked N or coloured black.
- Brown wire to terminal marked L or coloured red.

WARNING: THE HEATER MUST BE EARTHED.



