

Installation Instructions CXFST Exterior Frost Thermostat

Reference
J149b

LOCATION.

The thermostat should be located so as to allow an unobstructed airflow around it. Avoid locations where the thermostat may be influenced by doors, windows, direct sunlight, the heater or any other heat source. The objective is to sense ambient air temperature.

FIXING

Remove box front cover by loosening four screws
Remove control knob.
Remove thermostat cover
Securely fix box via holes in corners of unit, thus maintaining weatherproof integrity
Use appropriate cabling and glands for cable entry .
Wire unit as diagram.
Replace cover and box lid.

ADJUSTMENT

Set dial at approximate temperature required. Allow heater to function undisturbed until desired temperature is reached. Reset dial so unit just remains on. This should then maintain desired temperature level.

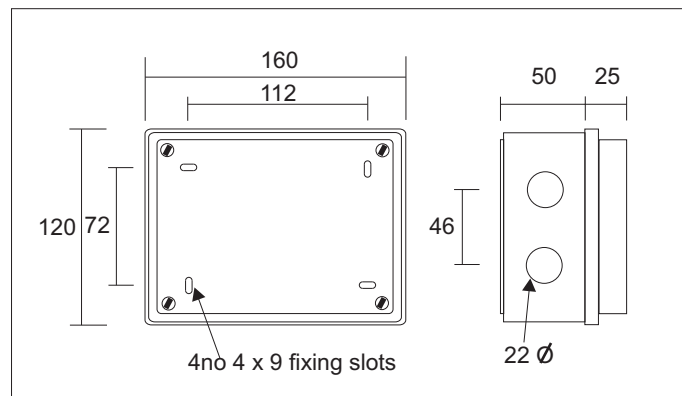
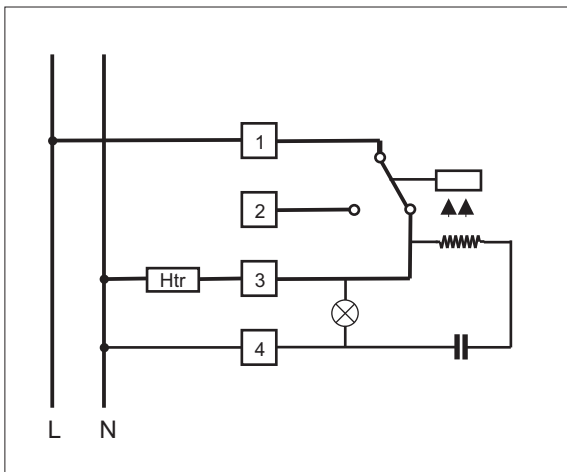
IMPORTANT

This thermostat is fitted with an accelerating resistance which has to be connected so as to obtain the adjustment performance. Terminal 4 must therefore be connected to neutral as per diagram. This also allows the pilot light to operate when the heater is on.

SPECIFICATION

Temperature Range -5°C / $+27^{\circ}\text{C}$

Switch Rating - 10A at 230V



The manufacturers reserve the right to change the specification at any time without prior notice E&OE



Commercial Electric Heat Limited
Thorp Arch Trading Estate
WETHERBY
West Yorkshire
LS23 7BJ

Tel 01937 844994 Fax 01937 844123