

# Installation Instructions CFST Frost Thermostat

Reference  
J148a

## Note

Electrical Installation should be carried out by a suitably qualified person to the latest edition of the IEE Requirements for Electrical Installations.(BS7671:2001)

Isolate the power supply before beginning installation

## LOCATION.

The thermostat should be located on an internal wall at an height of about 1.5m so as to allow an unobstructed airflow around it. Avoid locations where the thermostat may be influenced by doors, windows, direct sunlight, the heater or any other heat source. The objective is to sense ambient air temperature.

## FIXING

Remove control knob by turning to maximum setting and carefully levering off with small screwdriver. Remove front cover by loosening single screw.  
Securely fix base via mounting holes either to a standard BS4662 wall box or directly to a suitable surface.

## HEAT ANTICIPATOR

Connection of the heat anticipator resistor will give a more accurate and stable control.

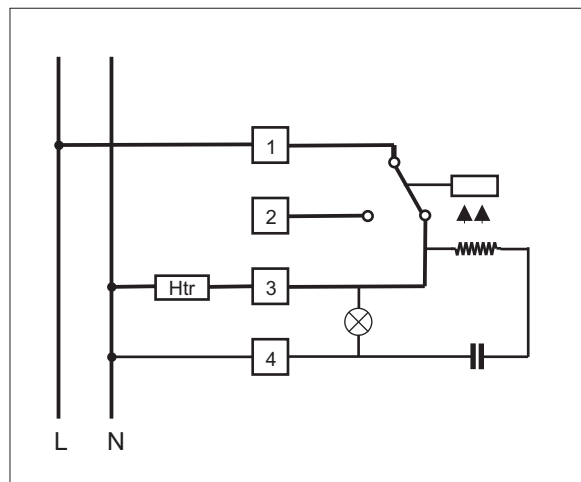
## CONNECTION

Wire the Live supply to terminal 1 and the Live feed to the heater to terminal 3.  
Wire a neutral to terminal 4 to allow neon and anticipator operation.  
Replace cover.

## SPECIFICATION

Temperature Range  $-5^{\circ}\text{C}$  /  $+15^{\circ}\text{C}$       Switch Rating - 16A at 250V

For usage in an indoor environment      Class of Protection - IP20



The Manufacturers reserve the right to change the specification without prior notice EO&E



Commercial Electric Heat Limited  
Unit 712  
Thorp Arch Trading Estate  
WETHERBY  
West Yorkshire  
LS23 7BJ

Tel 01937 844994 Fax 01937 844123  
email sales@cehltd.co.uk web www.cehltd.co.uk