

Installation Instructions CXFST Exterior Frost Thermostat

Reference
J149c

LOCATION.

The thermostat should be located so as to allow an unobstructed airflow around it. Avoid locations where the thermostat may be influenced by doors, windows, direct sunlight, the heater or any other heat source. The objective is to sense ambient air temperature.

FIXING

Remove box front cover by loosening four screws
Remove control knob.
Remove thermostat cover
Securely fix box via holes in corners of unit, thus maintaining weatherproof integrity
Use appropriate cabling and glands for cable entry .
Wire unit as diagram.
Replace cover and box lid.

ADJUSTMENT

Set dial at approximate temperature required. Allow heater to function undisturbed until desired temperature is reached. Reset dial so unit just remains on. This should then maintain desired temperature level.

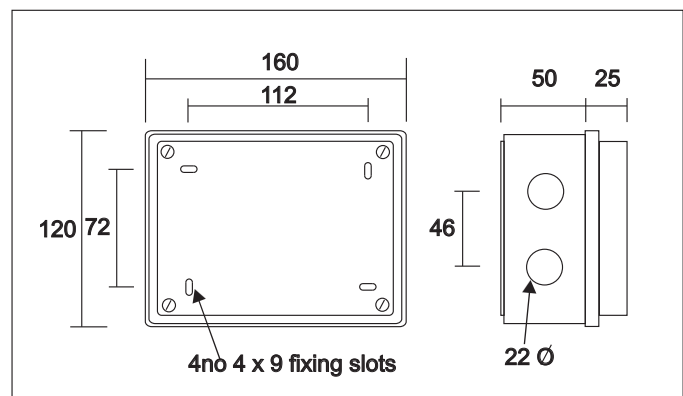
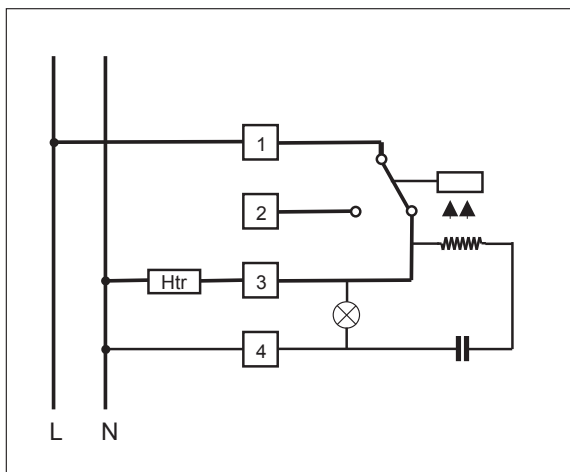
IMPORTANT

This thermostat is fitted with an accelerating resistance which has to be connected so as to obtain the adjustment performance. Terminal 4 must therefore be connected to neutral as per diagram. This also allows the pilot light to operate when the heater is on.

SPECIFICATION

Temperature Range -5°C / $+27^{\circ}\text{C}$

Switch Rating - 10A at 230V



The manufacturers reserve the right to change the specification at any time without prior notice E&OE



Commercial Electric Heat Limited
Burnfoot Industrial Estate
HAWICK
Roxburghshire
TD9 8SL

Tel 01450 372103 Fax 01450 377800
Email sales@cehltd.co.uk Web www.cehltd.co.uk