

Installation Instructions CTTF 7 day Fused Time Controller

Reference
J430a

To be read in conjunction with **SupplyMASTER** installation and operating instructions

This unit gives a convenient way of providing a time controlled power supply for appliances up to 3kW by direct connection or above via a suitable relay/contactor. It incorporates a 13A fuse and double pole isolator switch with a 7 day programmer. The contacts are volt free but can be easily linked to give a 230V supply.

The unit is suitable for directly switching up to a 13A resistive load such as a 3kW fan or convector

The unit can be used to provide the time controlled supply for the RCHx-xxxxTT recessed ceiling heaters. These heaters incorporate integral relays thus removing the need for external contactors to control multiple units.

ELECTRICAL CONNECTIONS for use with RCHx-xxxxTT

To provide a 230V output Terminal **2** and Terminal **3** should be linked.

Connect incoming supply to Terminal **5** - neutral and Terminal **6** - live.

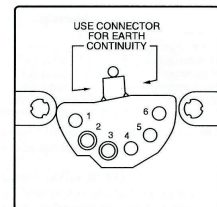
Connect heater **T1** and **T3** to Terminal **4**.

If the thermostat requires a neutral it should also be connected to Terminal **4**

Connect heater **T2** and thermostat input to Terminal **1**.

If the thermostat is not required connect heater **T4** directly to Terminal **1**.

Maintain earth continuity through connector provided.



ELECTRICAL CONNECTIONS - for other applications

Refer to **Supply MASTER** documentation .

All Electrical connections should be made by a suitably qualified person in accordance with the latest edition of the IEE Requirements for Electrical Installation (BS 7671:2001)

PROGRAMMING

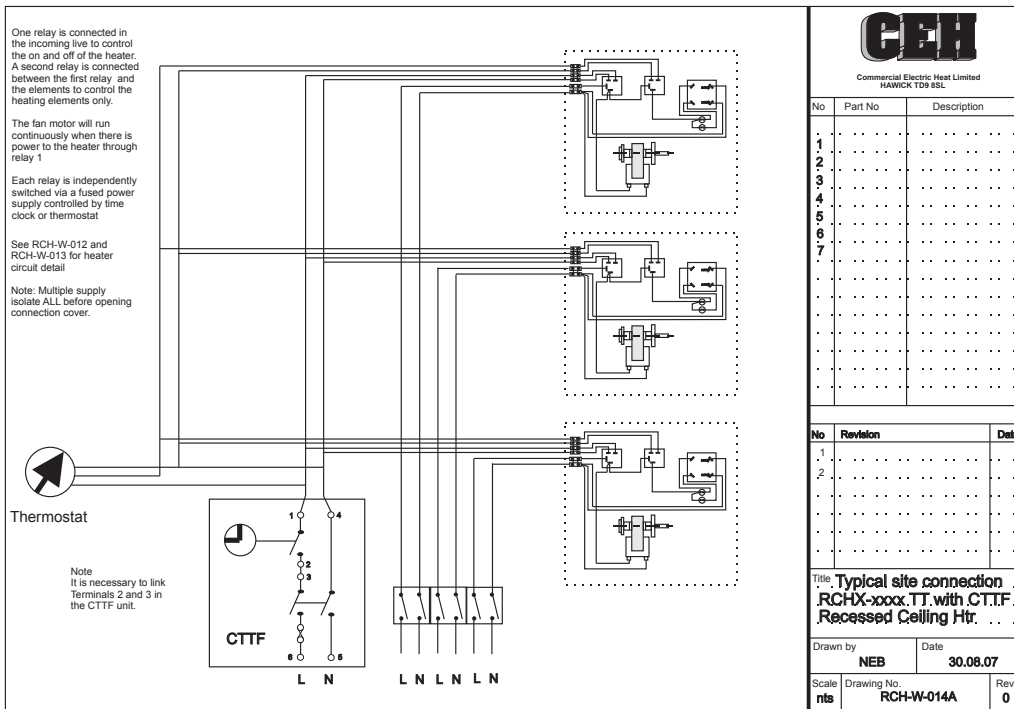
Refer to **Supply MASTER** documentation

WARRANTY

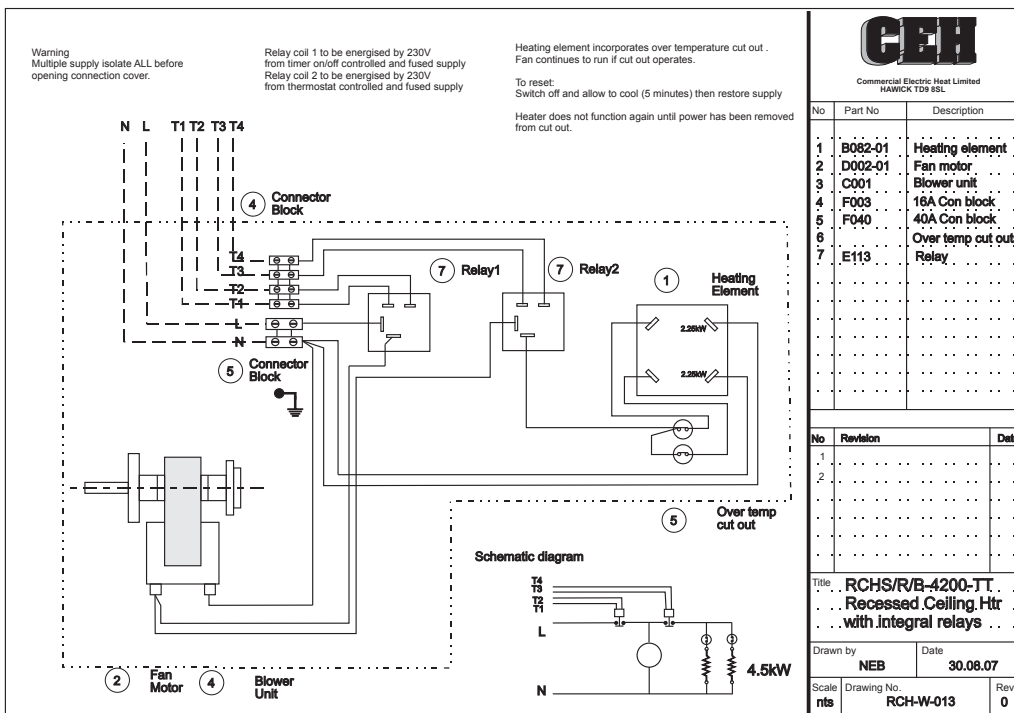
This product is guaranteed, in accordance with our Conditions of Sale, for a period of 12 months from date of purchase. We will repair or replace, at our discretion, any part found to be defective. We cannot accept responsibility for any consequential liability.

The warranty will be invalid if the heater has not been installed in accordance with these instructions. This does not affect your statutory rights.





Typical site connection RCHX-xxxx-TT with CTF



RCHX-xxxx-TT with integral relays for time and temperature control.

Please keep these instructions for future reference

The Manufacturers reserve the right to change the specification without prior notice EO&E

P09



Commercial Electric Heat Limited
Burnfoot Industrial Estate
HAWICK
Roxburghshire
TD9 8SL

Tel 01450 372103 Fax 01450 377800
Email sales@ceh ltd.co.uk Web www.ceh ltd.co.uk