

Installation Instructions

CTRT10 Tamperproof Remote Thermostat

LOCATION.

The thermostat should be located on an internal wall so as to allow an unobstructed airflow around it. Avoid locations where the thermostat may be influenced by doors, windows, direct sunlight, the heater or any other heat source. The objective is to sense ambient air temperature.

FIXING

Remove front cover by loosening two screws.
Securely fix base via mounting holes.
Wire unit through terminals 1 and 3 as diagram.
Replace cover having removed cut out if necessary.

THIS UNIT MUST BE EARTHED

ADJUSTMENT

Set dial at approximate temperature required. Allow heater to function undisturbed until desired temperature is reached. Reset dial so unit just remains on. This should then maintain desired comfort level. Refit tamperproof cover.

RANGE RESTRICTION

Two metal rings are provided to allow restriction of temperature adjustment. They are fitted to the control knob before the cover is replaced. Position the rings on the splines so that the extension piece touches the stop at the maximum and minimum settings.

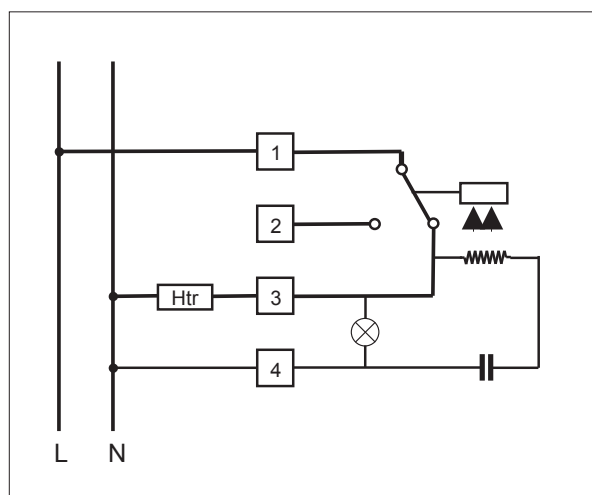
SPECIFICATION

Temperature Range +6°C / +30°C

Switch Rating - CTRT 10A at 250V

For usage in an indoor environment

Class of Protection - IP22



The Manufacturers reserve the right to change the specification without prior notice EO&E



Commercial Electric Heat Limited
Burnfoot Industrial Estate
HAWICK
Roxburghshire
TD9 8SL

Tel 01450 372103 Fax 01450 377800
Email sales@cehltd.co.uk Web www.cehltd.co.uk