

HLH High Level Heater

CI/SfB

56

TS 154



Applications

The HLH High Level Heater is designed for general space heating applications where a high level mounting heater is required.

The fully adjustable bracket allows the adjustment of the direction of the airflow for optimum heat distribution. The TB Version with integral thermostat gives energy saving temperature control at low installation cost. Typical applications include shops, workshops and warehouses.

Features

- 3kW 230V output
- adjustable bracket for wall or ceiling mounting.
- alternative keyhole fixing for secure installation.
- integral switches for heat selection and fan only.
- pre-connected cable for ease of installation
- over temperature cut out with power off reset.
- TB version with integral thermostat
- **standard finishes - brushed stainless steel (HLH-xxxxSS)**
copper bronze textured powder coating (HLH-xxxxBR)
light grey (RAL7035) textured powder coating finish (HLH-xxxx)

Control

Control is via 3 rocker switches next to the outlet grille. The front switch marked I/O is for fan only. The switches marked red give 1.5kW each and together the full 3kW

Temperature control is by remote thermostat (CRST-16) or on the TB version with the integral thermostat sensing the incoming air temperature.



Installation [\(Download full installation instructions at www.cehltd.co.uk\)](http://www.cehltd.co.uk)

The HLH-3000 is for high level mounting and must be mounted at a minimum height of 1.8m and for optimum effect the maximum recommended mounting height is 2.3m. The HLH must be mounted horizontally. For general space heating the unit should be directed at an angle into the area.

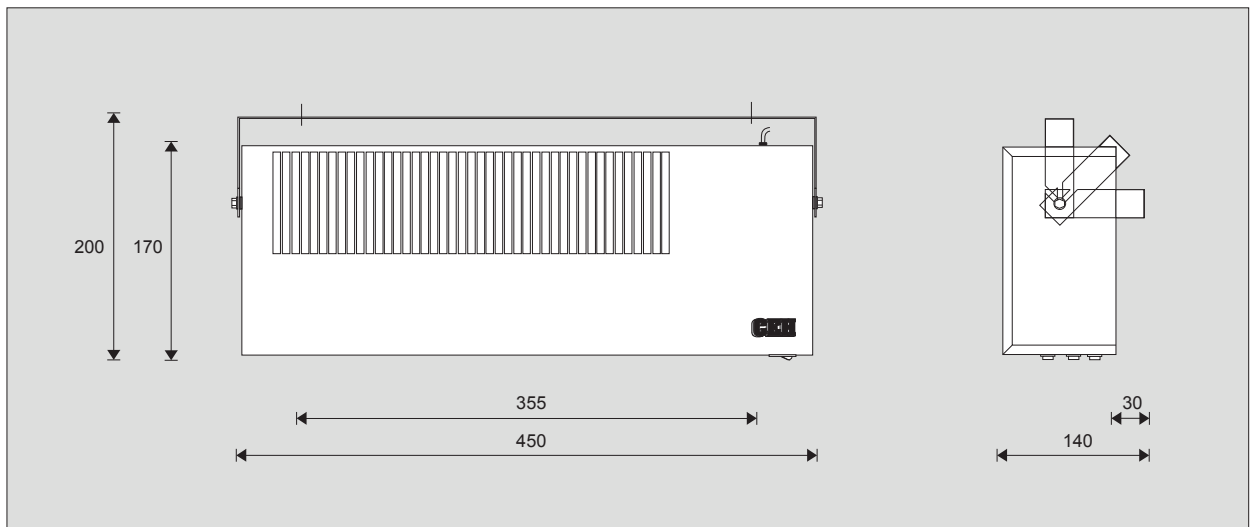
The unit should be securely fixed using the adjustable mounting bracket. The mounting bracket allows easy wall or ceiling mounting. Alternatively the unit can be wall mounted using the keyhole slots in the back of the unit.

The HLH-3000 is only suitable for connection to a 230V single phase power supply and is supplied with a pre connected cable for quick connection.

The 3kW should be connected to a suitably fused power supply. Connection should be via a 2 pole switched connection unit having a contact separation of at least 3mm in all poles.

All Electrical connections should be made by a suitably qualified person in accordance with the latest edition of the IEE Requirements for Electrical Installation (BS 7671:2001)

Specification



| Cat No | Watts | Volts | Length L mm | Height mm | Depth mm | Fixing C mm | Wt. kgs |
|------------|-------|-------|-------------|-----------|----------|-------------|---------|
| HLH-3000 | 3000 | 230 | 450 | 170 | 110 | 355 | 4.0 |
| HLH-3000TB | 3000 | 230 | 450 | 170 | 110 | 355 | 4.0 |

The manufacturers reserve the right to change the specification without prior notice E&OE



Commercial Electric Heat Limited
 Burnfoot Industrial Estate
 HAWICK Roxburghshire TD9 8SL
 Tel 01450 372103 Fax 01450 377800
www.cehltd.co.uk
 email sales@cehltd.co.uk