

Applications

Radiant heat is an efficient way of heating large poorly insulated drafty buildings and for heating specific areas. Quartz infra red heaters are therefore well suited to warehouses, factories, loading areas, garages, sports halls and, as they are noiseless in operation, churches. They are also ideal for intermittent heating where instant response is required, they give full output within seconds of switch on. Proximity sensors can be used to ensure the heater is only on when the area is occupied.

Features

- polished aluminium reflector for maximum efficiency
- polished stainless steel body
- chromed steel guard protects lamp from accidental damage
- versatile mounting bracket.
- units available from 1500W to 6000W.
- gold low glare lamps.
- noiseless in operation.
- instant heat

Control

Instant response allows easy efficient control of individual units or in zones for larger areas. PIR units of suitable current rating (CPIR) can be used to only allow heat when the area is occupied. Any air thermostats used should be positioned out of the direct line of heat

Installation [Download full installation instructions at www.ceh ltd.co.uk](http://www.ceh ltd.co.uk)

The units must be mounted with the lamps horizontal and the back of the unit at a minimum of 30° to the horizontal. Minimum mounting dimensions must be observed.

They should be connected with heat resisting cable to a suitably fused power supply via a 2 pole switched connection unit having a contact separation of at least 3mm in all poles. Switchgear should be sized to take into account the high initial inrush current.

All Electrical connections should be made by a suitably qualified person in accordance with the latest edition of the IEE Requirements for Electrical Installation (BS 7671:2008)

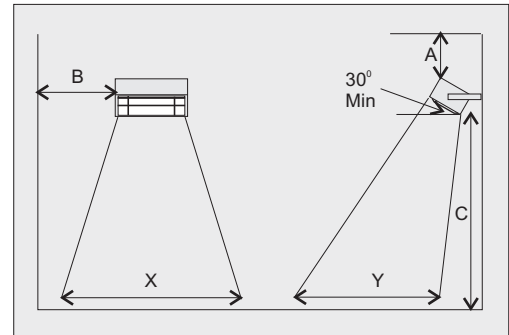
Do NOT locate close to surfaces or materials that may present a risk of fire.

Selection

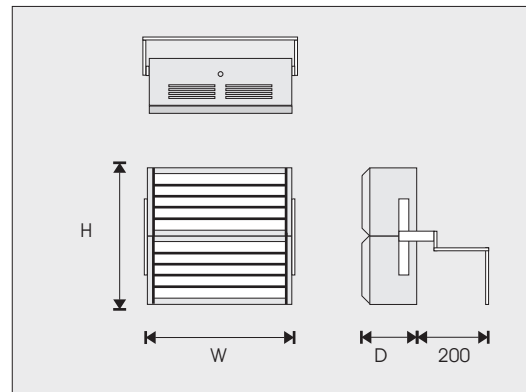
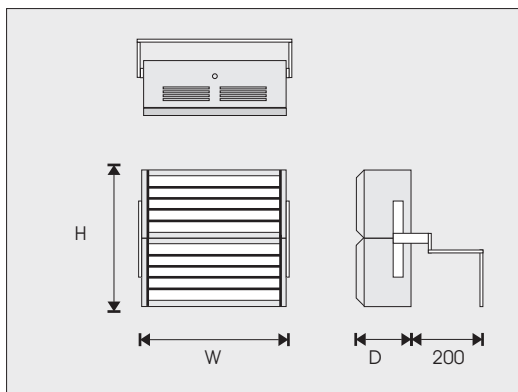
- 1) Determine the area to be heated ($A \text{ m}^2$) and the height of possible locations of the heaters
 - 2) Select the appropriate intensity ($W \text{ w/m}^2$) from the table. Take into account construction of building and activity levels.
 - 3) Required installed load is $W \times A/1000$ (kW)
 - 4) Select heaters taking into account mounting height, spread of heat and area to be covered. The area should ideally be heated from two directions. Areas in "shadow" will not be heated. A greater number of units will give a more even heating effect. Gold low glare lamps give reduced visible light and increased heat.
- Consult our Technical Department for further assistance

Building Type	Intensity
Canteens, waiting rooms	140-170
Churches	220-280
Loading bays	180-220
Shops	130-170
Sports Halls	110-130
Warehouses	180-210
Workshops, garages	150-200

Mtg Ht m	Spread		Area sq m
	X m	Y m	
2.0	4.8	3.4	16
2.5	6.0	4.2	25
3.0	7.2	5.0	36
3.5	8.3	5.9	49
4.0	9.5	6.7	64
4.5	10.7	7.6	81
5.0	11.9	8.8	105



Specification



Cat No	Watts	Lamp		Dimensions			Wt.kg	Minimum distance		
		No	Type	H mm	W mm	D mm		A mm	B mm	C mm
CQIR-1500G	1500	1	Gold	170	370	140	2.8	300	300	1800
CQIR-2000G	2000	1	Gold	170	370	140	2.8	300	300	2500
CQIR-3000G	3000	2	Gold	350	370	140	4.8	500	500	3000
CQIR-4000G	4000	2	Gold	350	370	140	4.8	500	500	3000
CQIR-4500G	4500	3	Gold	530	370	140	6.9	500	500	3000
CQIR-6000G	6000	3	Gold	530	370	140	6.9	500	500	4000

The manufacturers reserve the right to change the specification without prior notice E&OE



Commercial Electric Heat Limited
 Unit 712 Thorp Arch Trading Estate
 Wetherby West Yorkshire LS23 7FF
 Tel 01937 844994 Fax 01937 844123
 www.cehltd.co.uk
 email sales@cehltd.co.uk