

# CFD Floor Drop In Fan Heater

CI/SfB

56

TS 72



## Applications

A fan forced floor drop in heater for anti condensation or down draft heating below windows or in open plan areas. Typically in shop windows, reception areas, atriums and stairwells, wherever wall space is at a premium.

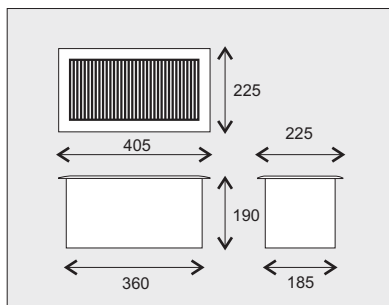
## Features

- heavy gauge floor grille easily removable for cleaning.
- heavy duty metal sheathed elements.
- totally enclosed permanently lubricated motor.
- automatic reset over temperature safety cut out with audible alarm.
- no additional ducting required as all airflow through grille.
- optional integral thermostat.

## Installation [Download full installation instructions at www.cehltd.co.uk](http://www.cehltd.co.uk)

The heater is designed for mounting in a horizontal surface it should not be mounted in a vertical surface. It is not recommended that it is mounted in a high traffic area although the grille can be easily removed for cleaning. The grille must be firmly mounted to the finished floor to ensure any downward force is not directly transferred to the heater. Siting of the heater should limit the chance of covering although a safety cut out is fitted should this occur. Electrical connections should be made by a suitably qualified person in accordance with the latest edition of the IEE Requirements for Electrical Installation (BS7671:2001)

## Specification



Cat No	Watts	Volts	Wt. kgs
CFD-1500	1500	240	8.0
CFD-TB	Integral Thermostat		

The manufacturers reserve the right to change the specification without prior notice E&OE





Commercial Electric Heat Limited  
Unit 712 Thorp Arch Trading Estate  
Wetherby West Yorkshire LS23 7FF  
Tel 01937 844994 Fax 01937 844123  
[www.ceh ltd.co.uk](http://www.ceh ltd.co.uk)  
email [sales@ceh ltd.co.uk](mailto:sales@ceh ltd.co.uk)