

# Installation Instructions CCB Kickspace Heater

Reference  
J060a

- Remove from carton and check contents :-
- grille and fixing screws (2)
  - heater assembly
  - thermostat knob (if specified)

## CAUTION

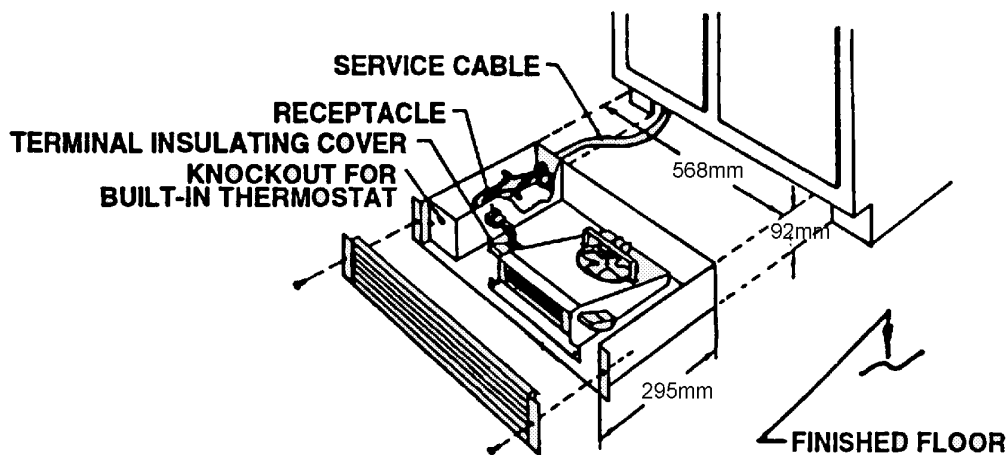
## HEATER LOCATION

The heater is for mounting into a deep recess on a vertical surface such as below kitchen units or shop fittings. Do NOT install under heavily used work area where air discharge temperature may be uncomfortable. Floor material should be checked before heater installation to be sure it will not discolour or distort at temperatures around 60 deg.C

The unit can also be used in a vertical position but only with upward discharge.

## INSTALLATION

- 1) Create cut-out 568mm x 92mm in wall ensuring at least a depth of 295mm from the front face and adequate fixing/support locations are available. The unit must not be below the finished floor level.
- 2) Remove grille and screws holding heater cover, remove cover. Remove appropriate knock out. Pull through sufficient cable to make connections.
- 3) Make connections to terminal block and earth screw. The unit is supplied for 240Vac operation.
- 4) Replace cover and screws.
- 5) Push heater into opening, replace grille and attach unit to surface with two screws provided.



## ELECTRICAL CONNECTIONS.

All connections should be made to current regulations by a suitably qualified person. The unit should be connected to a suitable 240Vac 50Hz. power supply via a two pole switched connection unit or a 13A fused plug top.

Connect as follows:-

- Green-yellow wire to terminal marked E , with earth symbol or coloured green or green-yellow.
- Blue wire to terminal marked N or coloured black.
- Brown wire to terminal marked L or coloured red.

**WARNING: THE HEATER MUST BE EARTHED.**



**OVER TEMPERATURE SAFETY CUT OUT.**

The heater is fitted with a **MANUAL** reset thermal safety cutout to prevent overheating should the heater grille become accidentally blocked.

**TO RESET**

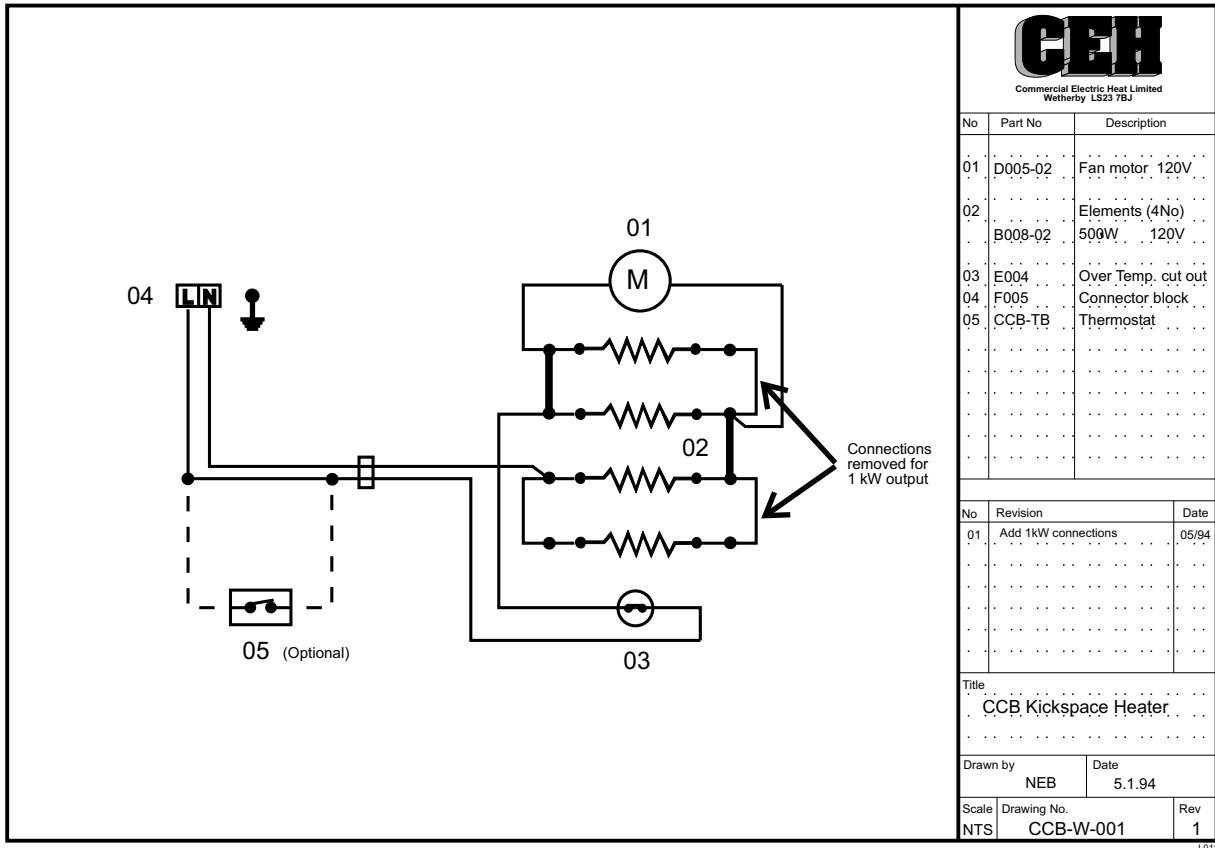
**Disconnect from power supply. Determine cause of overheating and rectify. To reset insert small blade screwdriver or equivalent through grille into vertical slot located on lower centre of heater chassis and lift up.**

**THERMOSTAT OPERATION (if fitted)**

Turn thermostat fully clockwise. Allow heater to run until room is at desired temperature.  
 NOTE: Heater must run for approx. 5 minutes before thermostat will control at desired comfort level.  
 Turn thermostat counterclockwise until heater just turns off.

**MAINTENANCE**

The unit should be cleaned every year to reduce build up of dust. To clean disconnect from power supply, remove grille and front screws, unplug unit and slide out. After cleaning, replace and all screws to maintain good ground continuity. Replace grille.



Please keep these instructions for future reference.

The manufacturers reserve the right to change the specification at any time without prior notice E&OE

E11



Commercial Electric Heat Limited  
 Unit 712  
 Thorp Arch Trading Estate  
 WETHERBY  
 West Yorkshire  
 LS23 7BJ

Tel 01937 844994 Fax 01937 844123