

CUH Heavy Duty Unit Heater

CI/SfB

56

TS 37



Applications

Heavy duty unit heaters for horizontal or vertical mounting. Ideal for space heating of larger areas such as warehouses, open plan stores, sports halls, factories and workshops also for anti condensation heating in plant rooms. When mounted with vertical discharge can be used to recirculate high level hot air for improved heating efficiency.

Features

- rugged heavy duty finned metal sheathed elements .
- totally enclosed permanently lubricated motor for increased reliability.
- automatic reset over temperature cut out for added safety.
- fan delay switch to purge unit of residual heat on switch off.
- draw through design for efficient air circulation.
- adjustable directional louvres for optimum airflow.
- flexibility of horizontal or vertical mounting.(see TS 96)

Options

- integral hydraulic thermostat (CUH-TH)
- integral fan only switch (CUH-FSW)
- integral 240V contactor for ease of installation (CUH-xx-xC) - standard over 7.5kW
- remote thermostat with on off switch (CUH-RTH)
- mounting bracket for wall or ceiling mounting
- eye bolt set for ceiling suspension (CUH-EYE)



Selection

CUH unit heaters are designed for use as Space heaters. For satisfactory performance their total output must be sufficient to overcome the area's heat loss. The average temperature rise across the unit is 20°C and thus the CUH is not recommended for "spot" heating.

If even heating is important several units spaced around the area will give optimum conditions. Fewer high capacity units will give lower installation costs at the expense of evenness of heat. In each case the heaters should be positioned against outside walls and in areas of greatest heat loss. Their airflow's should support each other creating a circulating air movement, ideally the total air volume of the space should pass through the heaters about three times per hour. The addition of centrally mounted "vertical" units and/or installing CDF De-Stratification fan units will reduce stratification and improve overall space heating efficiency.

Integral or remote thermostats are recommended. Three phase units are supplied complete with integral contactors to facilitate easy control.

Specification

Cat No	Heater			Fan motor		Air Vol	Dimension (mm)			Max Mtg Ht (m)		Throw	Wt
	kW	Volts	Phase	Watt	rpm	m3/hr	Height	Width	Depth	Horiz	Vert	m	kgs
CUH-03-1	3.0	230	1P	6.0	1550	680	450	368	165	2.8	2.8	3.7	12
CUH-03-3C	3.0	400	3P&N	6.0	1550	680	450	368	165	2.8	2.8	3.7	12
CUH-05-1	5.0	230	1P	6.0	1550	680	450	368	165	2.8	2.8	3.7	12
CUH-05-3C	5.0	400	3P&N	6.0	1550	680	450	368	165	2.8	2.8	3.7	12
CUH-07-3C	7.5	400	3P&N	15.0	1550	1190	620	546	165	3.0	3.7	6.7	23
CUH-10-3C	10.0	400	3P&N	15.0	1550	1190	620	546	165	3.0	4.3	6.7	23
CUH-15-3C	15.0	400	3P&N	38.0	1550	1870	730	546	165	3.4	6.1	9.8	30
CUH-20-3C	20.0	400	3P&N	62.0	1550	3400	865	743	256	3.7	6.7	9.8	55
CUH-25-3C	25.0	400	3P&N	62.0	1550	3400	865	743	256	3.7	6.7	13.7	55
CUH-30-3C	30.0	400	3P&N	62.0	1550	3400	865	743	256	3.7	6.1	12.2	55
CUH-40-3C	40.0	400	3P&N	186.0	1550	5200	865	743	256	3.7	7.3	16.7	55

Installation [Download full installation instructions at www.cehltd.co.uk](http://www.cehltd.co.uk)

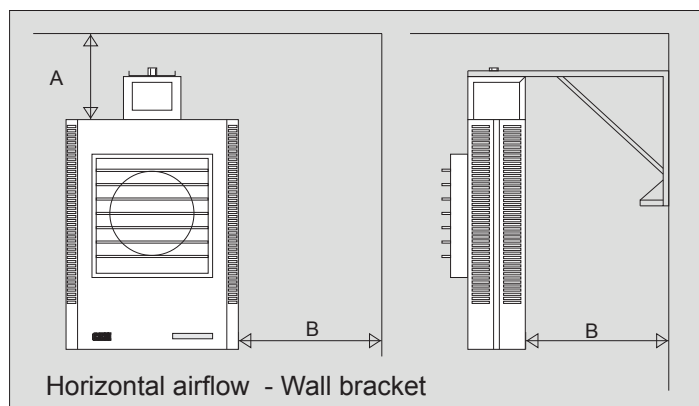
For optimum performance the heater should not be mounted higher than the maximum height shown in the table. The heaters should not be mounted at a height of less than 2.2 metres, 3 - 5kW units not closer than 300mm to wall or ceiling and 7.5 - 40kW not closer than 450mm to ceiling and 600mm to wall. Standard brackets maintain these clearances.

Electrical connections should be made by a suitably qualified person in accordance with the latest edition of the IEE Requirements for Electrical Installation (BS7671:2001)

Mounting

Standard mounting brackets are recommended. They ensure minimum clearances are maintained. Selection as per table below. Vertical airflow units can be suspended from chain using the CUH-EYE eye bolt set.

Airflow	Heater	Bracket	A mm	B mm
Horizontal	03 - 05	C35	300	300
	07 - 15	C720	450	600
	20 - 50	C2550	450	600
Vertical	03 - 05	VB35	300	300
	07 - 15	VB720	450	600
	20 - 30	V2550	450	600



The manufacturers reserve the right to change the specification without prior notice E&OE



Commercial Electric Heat Limited
 Burnfoot Industrial Estate
 HAWICK Roxburghshire TD9 8SL
 Tel 01450 372103 Fax 01450 377800
 www.cehltd.co.uk
 email sales@cehltd.co.uk